

GAS LIFT ARMS &
MONITOR STANDS



At Multibrackets we know that you are not always sitting in the same position whilst at work, so why should your screen stay in the same place? Our series Lift Arms' are the ultimate desk or wall mount companion to add flexibility and ingenious ergonomics to your monitors. Designed to provide outstanding performance, with a sleek and streamlined look, it frees up space and allows you to easily position your display for greater productivity. It is ideal for both office and home use and especially in situations where a user can be both standing up and sitting down. So, let's start letting your fingertips lift, swing, tilt and rotate your LCD display.

 Designed and
engineered in
Sweden

GAS LIFT ARMS & MONITOR STANDS

Vesa Gas Lift Arms

Gas Lift Arm Samsung G7/G9	6-7
Gas Lift Arm iMac	8-9
Desk or Wall	10-13
Originals	14-17
Large Displays	18-21
Dual Monitor	22-25
Dual Monitor Side by Side	26-29
Multi Monitor Dual & Quad	30-33
M VESA Gas Lift Arm Basic Pole	34-35
M VESA Gas Lift Arm Single with Handle	36-37
M VESA Gas Lift Arm Wall Basic	38-39
Accessories Gas Lift Arms	40-43

Vesa Desktop Mounts

M VESA Gas Spring Single	44-45
M VESA Gas Spring Dual	46-47
M VESA Deskmount HD	48-49
M VESA Deskmount HD Dual	50-51
Officeline Pro	52-57
Accessories Officeline Pro	58-59
Officeline	60-65
Accessories Officeline	66-67
Deskline	68-71
Client Holders	72-75
Accessories Deskline	76-77
Partition & Polemount	78-79
Monitor/Tablet - Arm/Wallmount	80-81
Office ergonomics	82-83

Deskstands and Workstations

M Flex Desk Workstation	84-85
M Workstations Arms	86-87
M Deskstand Workstation II	88
M Easy Stand Desktop	89

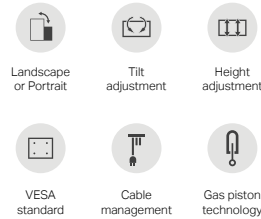
Peripherals

Headset Holders	90-91
Cable Socks	92-93

Gas Lift Arm Samsung G7 / G9

Tailor made for Samsung G7 and G9.

Need to get that sleek new Odyssey up off of your desk? Our Odyssey compatible monitor arms will help you clear up valuable desk space. Our innovative solution for Samsung Odyssey series is the choice. The M Gas Lift Arm Samsung Odyssey G9 is made out of a durable aluminum construction and uses a gas driven suspension technique.



Specifically tailored head for Samsung Odyssey

Highlights:

- Ergonomic sit & stand solution for Samsung Odyssey users
- Reposition your display back, forth, up or down
- Lifts your Odyssey G9 to a new height
- German gaslift technology
- Let's you adjust position with a fingertip touch
- Creates ultimate Odyssey flexibility



Weightless suspension

Even while M Gas Lift Arm Samsung Odyssey G9 Black holds your G9 with ease, it still makes its load seem absolutely weightless thanks to the strategic mount design. This allows you to easily make any adjustments to the monitor while only using one hand. Cable-Free Surface. No one wants their desk covered in a mess of

cables, which is why it is so great that this product comes with a cable management system that is able to keep all of your cables grouped together and organized instead of sprawled out everywhere.





G7

**M Gas Lift Arm
Samsung G7 Single Black**

G9

**M Gas Lift Arm
Samsung G9 Single Black**

For screen size:	32"	49"
VESA standard:	Non VESA suits Samsung Odyssey G7 series	Non VESA suits Samsung Odyssey G9 series
EAN:	735010521 3274	735010521 3281
Colour:	Black	Black
Weight:	4 kg	4 kg
Warranty:	5 years	5 years

Compatibility:

Samsung G7 models:

LS28AG700NUXEN, LC27G75TQSUXEN,
LC27G75TQSRXEN, LC32G75TQSUXEN,
LC32G75TQSRXEN

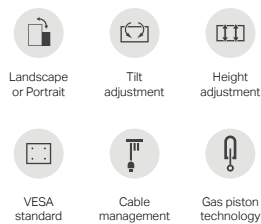
Samsung G9 models:

LC49RG90SSRXEN, LS49A950UIUXEN,
LC49HG90DMRXEN, LC49HG90DMUXEN,
LC49RG90SSRXEN, LC49RG90SSUXEN,
LC49G95TSSRXEN, LC49G95TSSUXEN,
LS49AG950NUXEN, LS49AG952NUXEN,
LS49AG954NUXEN

M Gas Lift Arm iMac® 24" Silver

**Optimize your productivity.
Reduce strain on neck, back and eyes.**

Need to get that sleek new iMac off your desk? Our iMac compatible monitor arms will help you clear up valuable desk space. Our innovative solution iMac Gas Lift is then a great choice.



Highlights:

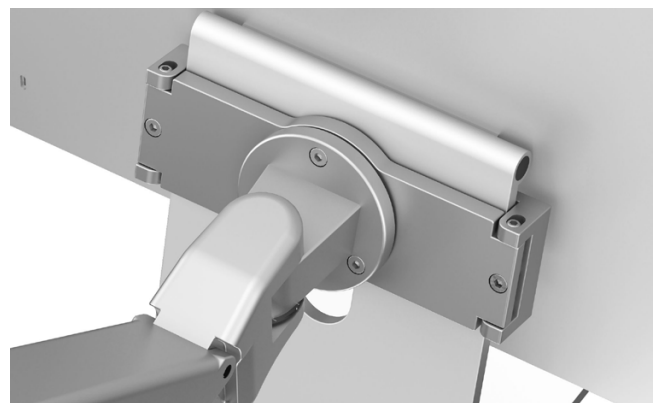
- Ergonomic sit & stand solution for iMac 24" users
- Reposition your iMac back, forth, up or down
- Lifts your iMac 24" to a new height
- German gaslift technology
- Lets you adjust position with a fingertip touch
- Creates ultimate flexibility



Sleek and streamlined. Tailor made for iMac 24"

The M Gas Lift Arm iMac frees up space and allows positioning of your iMac for greater productivity. The unique counterbalance gas technology provides smooth adjustment in any direction. Easy move the iMac close to the desk, high up, matching

almost any wanted working position imaginable.

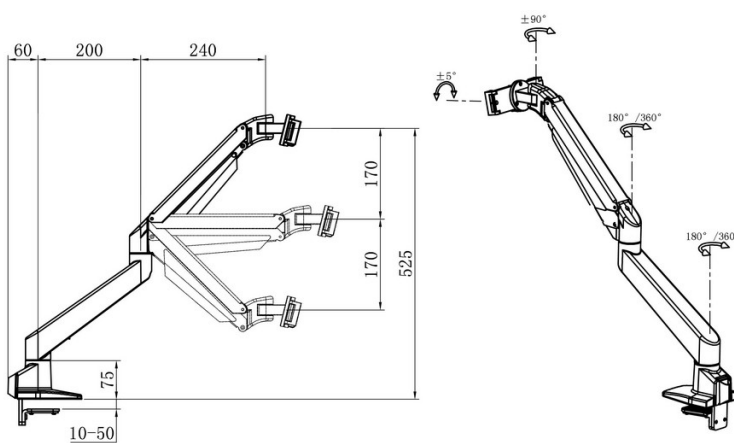




Gas piston cylinder

The counterbalance gas technology makes your screen float and move around with ease. Adjust the position of the screen with your hands, or even fingertips.

Screen weight: 2 kg - 10 kg



M Gas Lift Arm iMac® 24" Silver









For iMac size:	24"
VESA standard:	75x75, 100x100 mm
EAN:	735010521 3144
Colour:	Silver
Screen weight:	Min. 2 kg — Max. 10 kg
Function:	Gas driven piston
Weight:	3.4 kg
Tilt angle:	+75 — -45 degrees
Turn angle:	+90 — -90 degrees
Rotate:	90 degrees
Trademarks:	Apple & iMac are trademarks of Apple Inc.
Warranty:	2 years

M VESA Gas Lift Arm Desk or Wall

Use it on a desk or fix it to a wall

The M VESA Gas Lift Arm Desk or Wall made out of a durable aluminum construction and uses a gas driven suspension technique. This makes the screen "float" and it can then be moved with near zero effort. Sleek and streamlined, the M VESA Gas Lift Arm frees up space and allows positioning of your display for greater productivity.



- 
 Landscape or Portrait
- 
 Tilt adjustment
- 
 VESA standard
- 
 Quick release
- 
 Height adjustment
- 
 Cable management
- 
 To wall option
- 
 Gas piston technology

Highlights:

- Ultimate fit
- Improve your monitors movement and overall ergonomics
- Mounts on your desk or onto a wall
- Works with most mid size displays up to 32"
- Saves space and holds your cables hidden



Lower your monitor, great for touch screens.

Unique gas technology

The unique counterbalance gas technology provides smooth adjustment in any direction. Easily move the screen from landscape to portrait position or move the screen close to the desk, high up, matching almost any wanted working position imaginable. In addition, this version of our Gas Arm can be mounted directly to the wall.



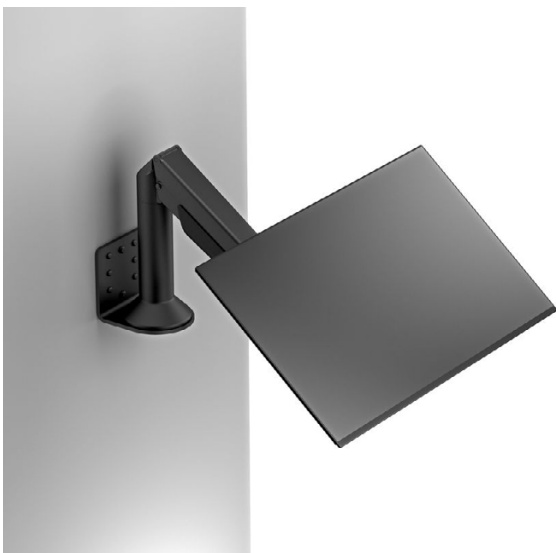
M VESA Gas Lift Arm Desk or Wall Basic Silver



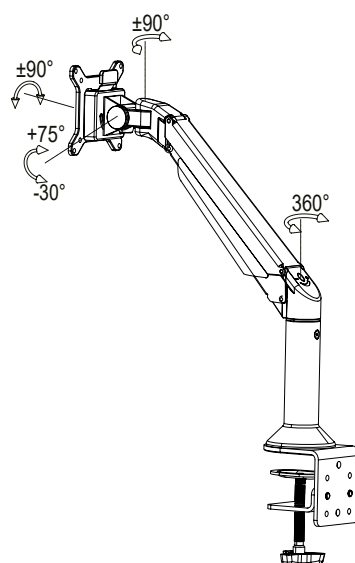
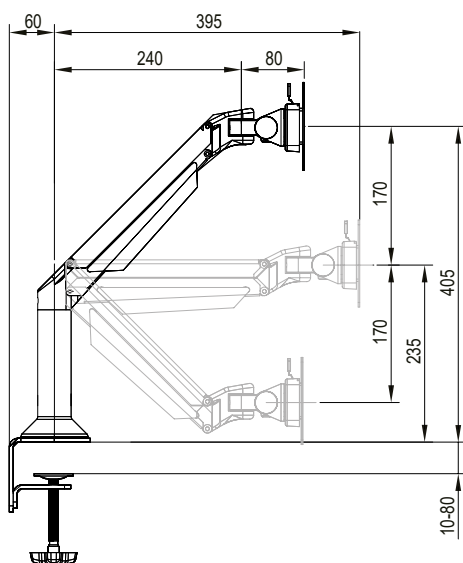
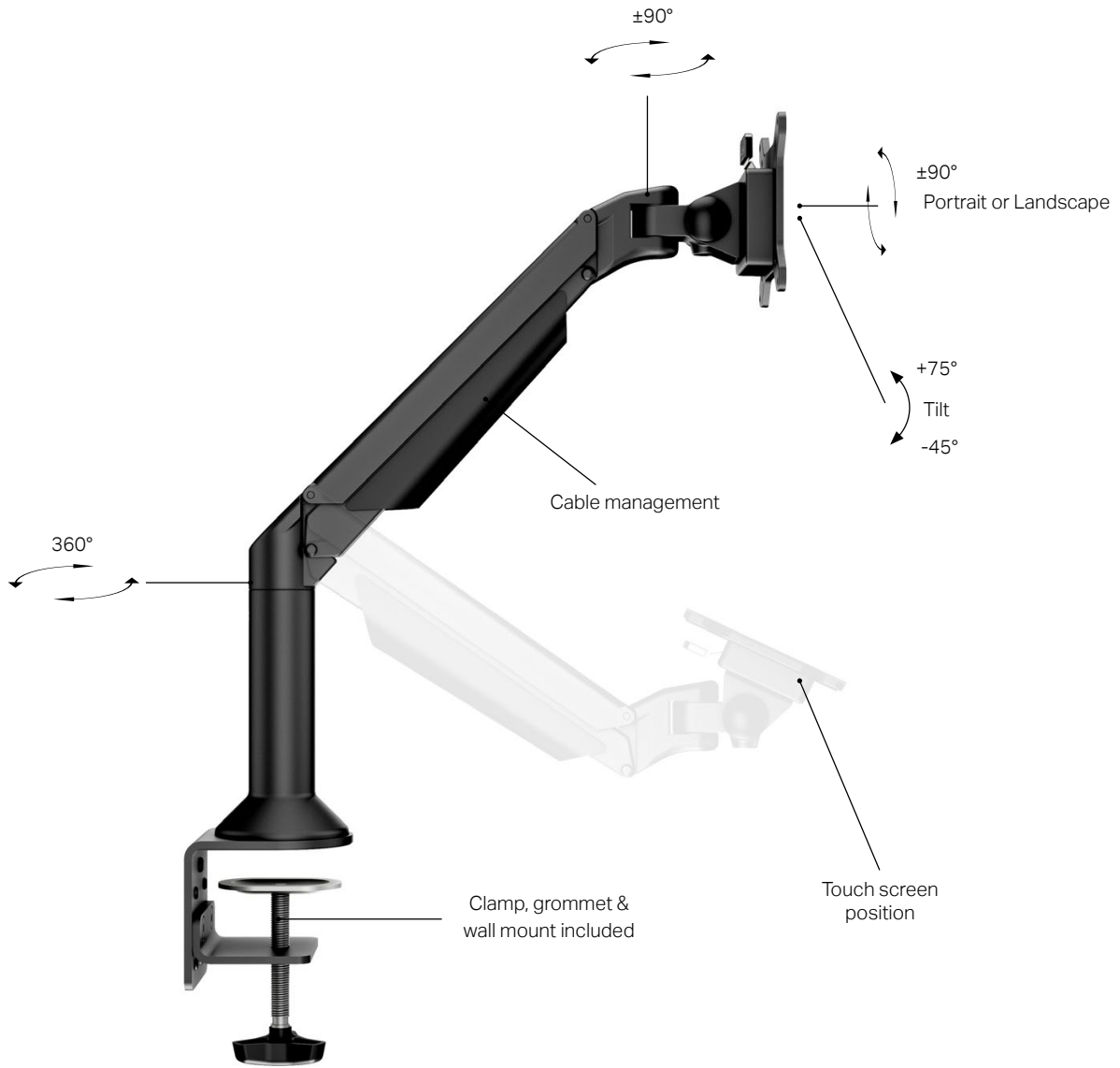
M VESA Gas Lift Arm Desk or Wall Basic White

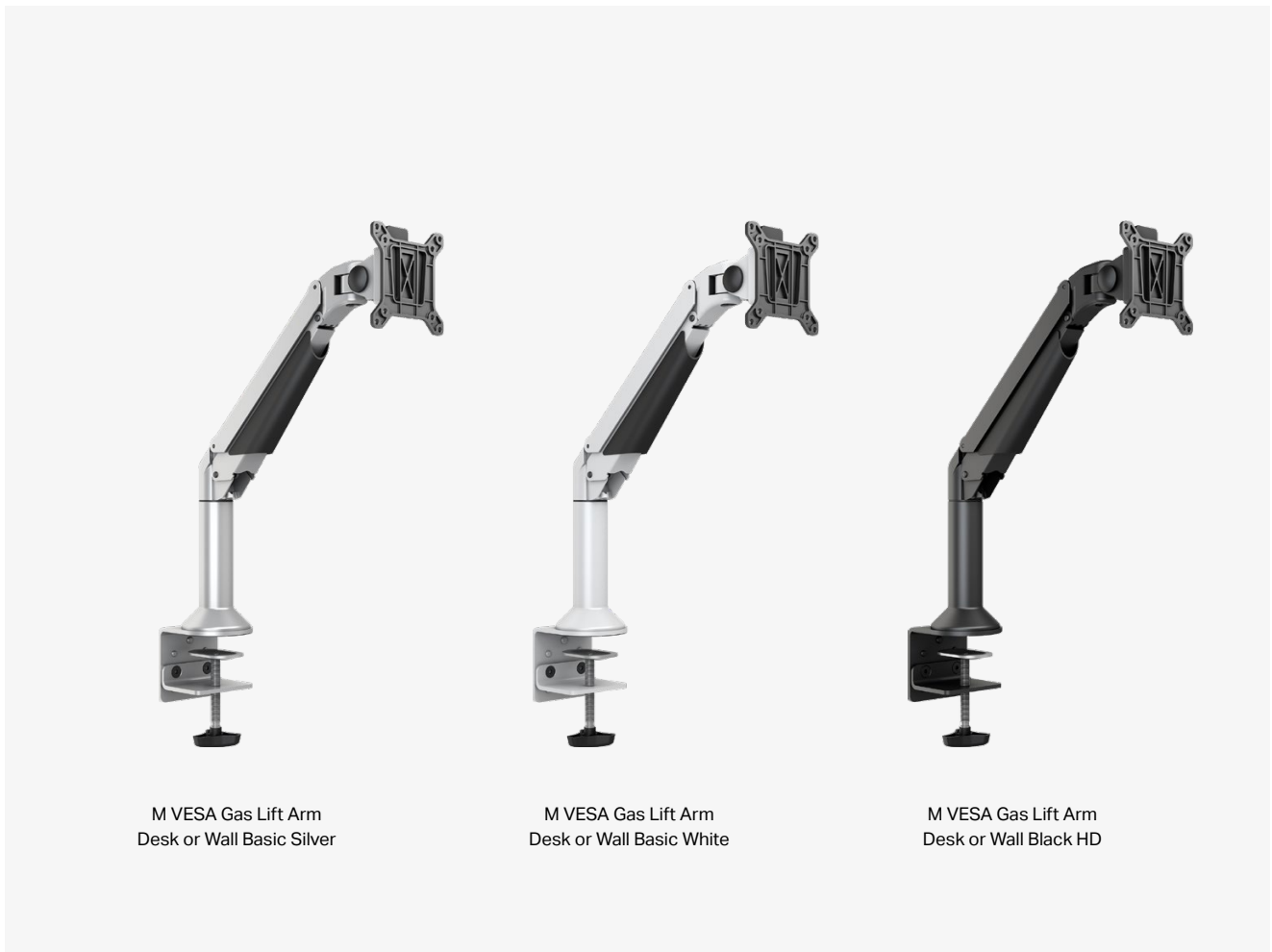


M VESA Gas Lift Arm Desk or Wall Black HD



	M VESA Gas Lift Arm Desk or Wall Basic	M VESA Gas Lift Arm Desk or Wall Basic Black HD
For screen size:	15-32"	15-32"
VESA standard:	75x75, 100x100 mm	75x75 100x100 mm
EAN:	Black: 735002273 9369 Silver: 735002273 9383 White: 735002273 9376	735007373 2432
Colour:	Black / White / Silver	Black
Screen weight:	Min. 2 kg - Max. 10 kg	Min. 9 kg — Max. 21 kg
Function:	Gas driven piston	Gas driven piston
Warranty:	2 years	2 years
Weight:	2,4 kg	2,4 kg
Tilt angle:	+75 - -45 degrees	+75 - -45 degrees
Turn angle:	+90 - -90 degrees	+90 - -90 degrees
Rotate:	90 degrees	90 degrees



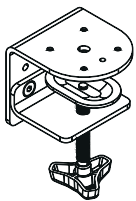


M VESA Gas Lift Arm
Desk or Wall Basic Silver

M VESA Gas Lift Arm
Desk or Wall Basic White

M VESA Gas Lift Arm
Desk or Wall Black HD

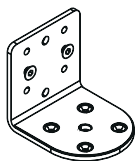
Choose the fixture that suits your work environment:



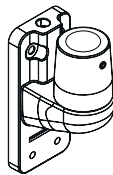
Desk Clamp
(included)



Grommet
(included)



Wall Mount
(included)



Wall Adapter
(optional)

	M VESA Gas Lift Arm Desk or Wall Basic	M VESA Gas Lift Arm Desk or Wall Basic Black HD
For screen size:	15-32"	15-32"
VESA standard:	75x75, 100x100 mm	75x75 100x100 mm
EAN:	Black: 735002273 9369 Silver: 735002273 9383 White: 735002273 9376	735007373 2432
Colour:	Black / White / Silver	Black
Screen weight:	Min. 2 kg - Max. 10 kg	Min. 9 kg — Max. 21 kg
Function:	Gas driven piston	Gas driven piston
Warranty:	2 years	2 years
Weight:	2,4 kg	2,4 kg
Tilt angle:	+75 - -45 degrees	+75 - -45 degrees
Turn angle:	+90 - -90 degrees	+90 - -90 degrees
Rotate:	90 degrees	90 degrees

Originals

Our best seller.
No time for discomfort.

Create the ultimate in monitor flexibility. This Full Motion Universal Desk Mount goes beyond simple movements by offering tool less movement and counter balance weight adjustment.

Highlights:

Flexible fit

Move your display to a perfect position, improve your daily use and ergonomics

Better motion

This arm easily adjusts monitors up to 32" in size

Space saving

Clear your desk and enlarge your working area

Scandinavian design

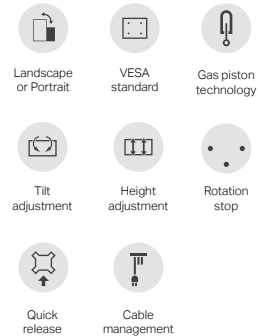
We designed this with both mechanics and aesthetics in mind

Quick release

Connects your screen to the arm with a snap.

Highest build quality

This gas arm is built to last longer than our competitors by passing our 10 000 cycle motion test



Grommet Base included

Unique gas technology - made in Germany

The original M VESA Gas Lift Arm is made out of a durable aluminum construction and uses a gas driven suspension technique. Always finding your best view, saving desk space and letting you discover your most productive self, the M

VESA Gas Lift Monitor Arm always deliver. Place your screen where you need it for each project, and then reclaim a space full of opportunities by folding the arm and pushing it aside during a much needed screen break.





Aim for the highest quality
We build our gasarms for 10 000 cycle tests

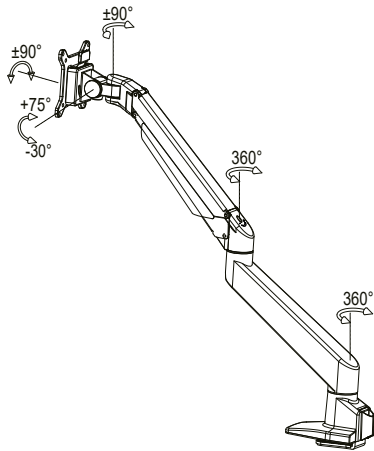




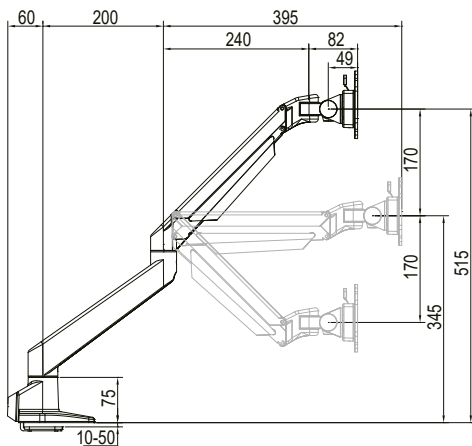
M VESA Gas Lift Arm Single White



M VESA Gas Lift Arm Single Silver



M VESA Gas Lift Arm Single Black



	M VESA Gas Lift Arm Single	M VESA Gas Lift Arm Single HD
For screen size:	15-32"	15-32"
VESA standard:	75x75, 100x100 mm	75x75, 100x100 mm
EAN:	Black: 735002273 7174 Silver: 735002273 7167 White: 735002273 7150	Black: 735007373 2449 Silver: 735007373 5624 White: 735007373 5617
Colour:	Black / Silver / White	Black / Silver / White
Screen weight:	Min. 2 kg - Max. 10 kg	Min. 9 kg - Max. 21 kg
Function:	Gas driven piston	Gas driven piston
Warranty:	2 years	2 years
Weight:	3,4 kg	3,4 kg
Tilt angle:	+75 — -45 degrees	+75 — -45 degrees
Turn angle:	+90 — -90 degrees	+90 — -90 degrees
Rotate:	90 degrees	90 degrees
Grommet:	Yes, included. Desk thickness: 50mm	Yes, included. Desk thickness: 50mm

Large monitors

M VESA Gas Lift

XL Single

Add versatility for your large, curved and extra wide displays

This gas arm is built to last longer than our competitors by passing our 10 000-cycle motion test. This Heavy Duty monitor arm series is cleverly designed and can be used with larger or heavier monitors on the market.

Highlights:

Heavy duty

Move your large size display to a perfect position

Better motion

This arm easily adjusts monitors up to 49" in size (check model and max size)

Space saving

Clear your desk and enlarge your working area

Scandinavian design

We designed this with both mechanics and aesthetics in mind

Quick release

Connects your screen to the arm with a snap

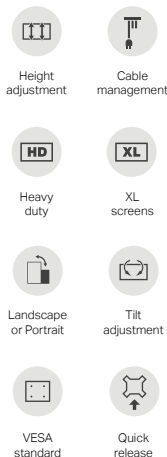
Highest build quality

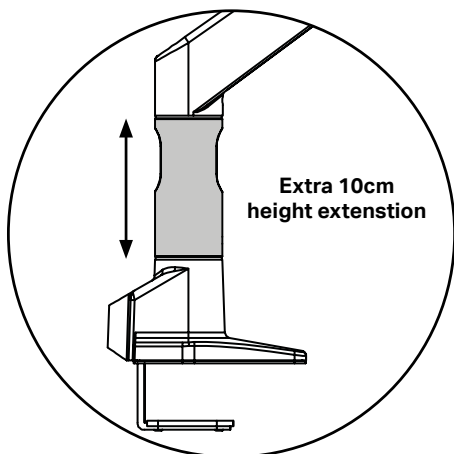
This gas arm is built to last longer than our competitors by passing our 10' 000 cycle motion test

Unique gas technology

All cables route through a smart cable management system solving the problem of messy cords over your desk space. Finally, a Full Motion Universal Desk Mount goes beyond simple movements by offering tool-less movement and counter balance weight adjustment. The original M VESA Gas Lift Arm XL is made out of aerospace aluminium, it's construction utilizes a gas driven suspension system

holding up to a massive 18 kg. Always finding your best view, saving desk space and letting you discover your most productive self, the M VESA Gas Lift Monitor Arm XL series always deliver. Place your screen where you need it for each project, and then reclaim a space full of opportunities by folding the arm and pushing it aside during a much-needed screen.

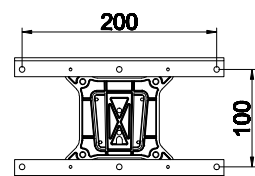
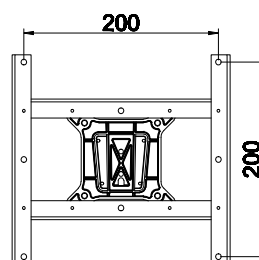


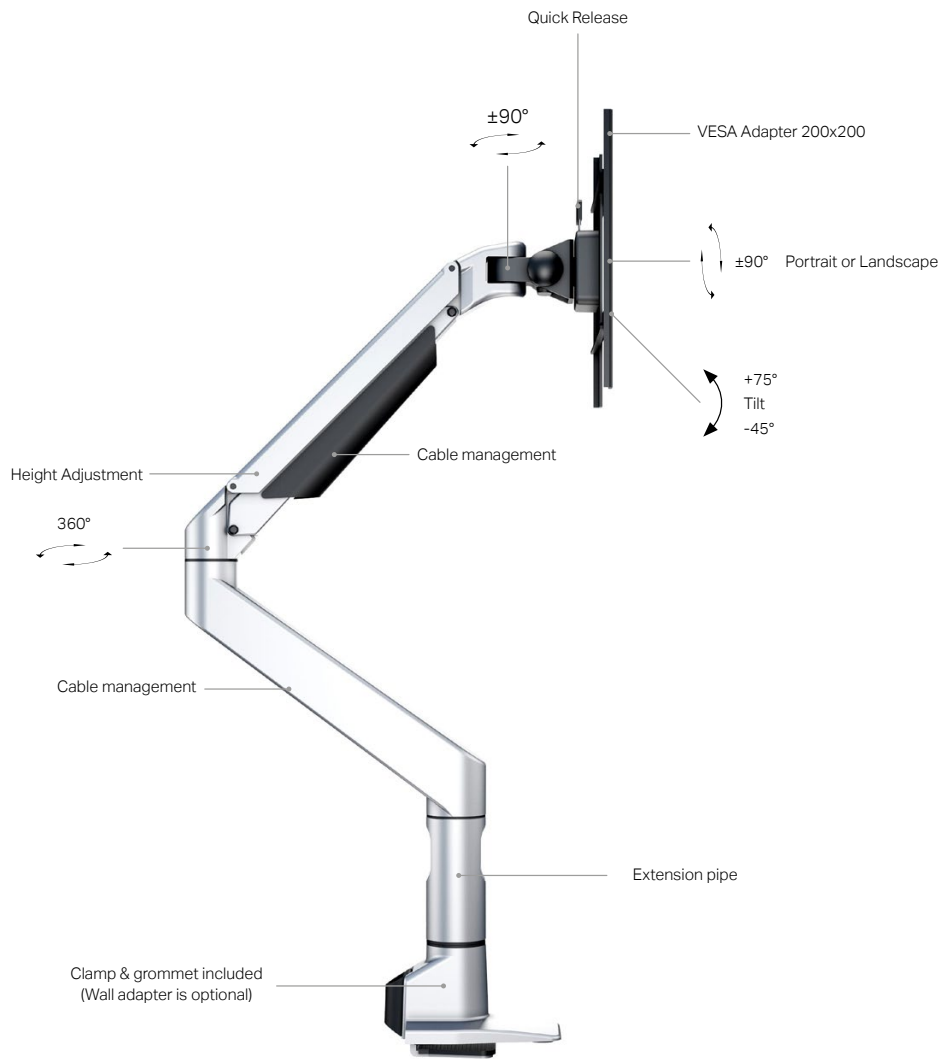


VESA for XL monitors

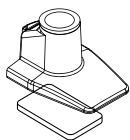
75x75, 100x100, 200x200mm

This gas arm is built to last longer than our competitors by passing our 10 000-cycle motion test.

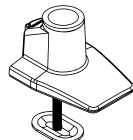




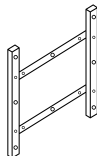
Choose the fixture that suits your work environment



Desk clamp
(included)



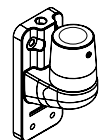
Grommet
(included)



VESA 200x100, 200x200
(included)



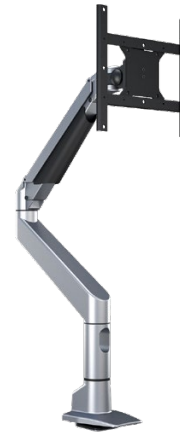
Extension pipe
(included)



Wall Adapter
(optional)



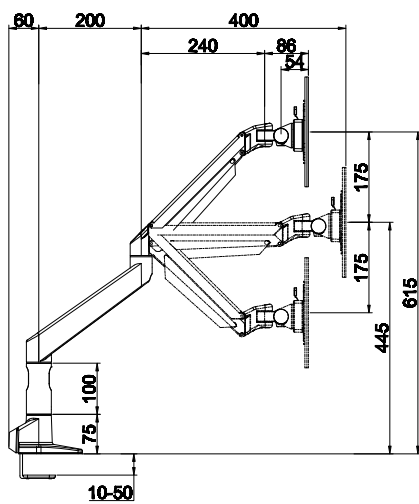
M VESA Gas Lift XL Single White HD



M VESA Gas Lift XL Single Silver HD



M VESA Gas Lift XL Single Black HD



	M VESA Gas Lift XL Single	M VESA Gas Lift XL Single HD
For screen size:	15"-38"	15"-49"
VESA standard:	75x75, 100x100, 200x200mm	75x75, 100x100, 200x200mm
EAN:	Black: 735007373 7093 Silver: 735007373 7109 White: 735007373 7116	Black: 735007373 7123 Silver: 735007373 7130 White: 735007373 7147
SKU included:	7174 + 5396 + 2548	2449 + 5396 + 2548
Colour:	Black / Silver / White	Black / Silver / White
Screen weight:	Min. 2 kg - Max. 10 kg	Min. 9 kg — Max. 18 kg
Function:	Gas driven piston	Gas driven piston
Warranty:	2 years	2 years
Weight:	3,4 kg	3,4 kg
Tilt angle:	+75 — -45 degrees	+75 — -45 degrees
Turn angle:	+90 — -90 degrees	+90 — -90 degrees
Rotate:	90 degrees	90 degrees

Dual monitor Duo Crossbar

Reclaim desk space with dual monitors. Increase effectivity.

Did you know using dual monitors can increase productivity by up to 30%? In tests it has been found that considerable time can be saved if an employee uses more screens with documents open simultaneously, rather than opening and closing documents on a single screen.



Highlights:

Double your display area

Perfectly aligns two LCD displays side by side

Space saving

Clear your desk and enlarge your working area

Better motion

This arm easily adjusts monitors up to 32" in size

Scandinavian design

Designed with both mechanics and aesthetics in mind

Highest build quality

10000 cycle motion test



Landscape or Portrait



Tilt adjustment



Height adjustment



Cable management



VESA standard



Quick release



Dual screens

Increasingly, computer users are adding second monitors to their desk setups to allow for easier task switching and comparison between multiple files. Actually, using two displays side by side, according to independent tests, can increase productivity by up to 30%. Our range of side by side dual monitor display, effortless-

sly adjusts to suit your needs. Featuring extendable and retractable arms which tilt to alter reading angles, not to mention rotating to either portrait or landscape modes. Having each monitor on individual gas driven arm allows one screen in landscape and the other in portrait as well as having the displays at a different

distance depending how your eyes are responding. Our Side by side dual screen monitor arm series is aimed to keep coworkers efficient as well as clear desk space.





**Combine portrait
and landscape**





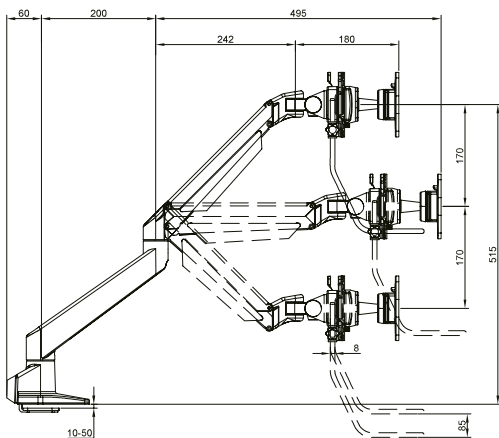
M VESA Gas Lift Arm Single Black with Duo Crossbar



M VESA Gas Lift Arm Single Silver with Duo Crossbar



M VESA Gas Lift Arm Single White with Duo Crossbar



M VESA Gas Lift Arm Single with Duo Crossbar

M VESA Gas Lift Arm Single Black HD with Duo Crossbar

For screen size:	15"-32"	15"-32"
VESA standard:	75x75, 100x100	75x75, 100x100
EAN:	Black: 735007373 5921 Silver: 735007373 5938 White: 735007373 5945	Black: 735007373 5952
Colour:	Black / Silver / White	Black
Screen weight:	Min. 2 kg - Max. 10 kg As crossbar weight is 1.75 kg, max screen weight is 8.25 kg	Min. 9 kg - Max. 21 kg
Function:	Gas driven piston	Gas driven piston
Weight:	3.4 kg + 1.75 kg	3.4 kg + 1.75 kg
Tilt angle:	+75 — -45 degrees	+75 — -45 degrees
Turn angle:	+90 — -90 degrees	+90 — -90 degrees
Rotate:	90 degrees	90 degrees
Warranty:	2 years	2 years



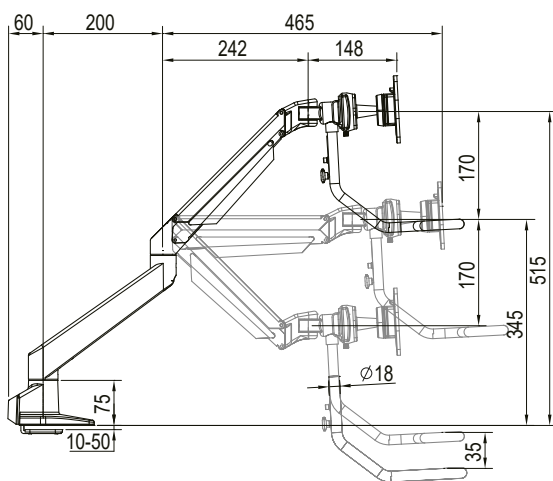
M VESA Gas Lift Arm Single with Duo Crossbar 2 Black



M VESA Gas Lift Arm Single with Duo Crossbar 2 Silver



M VESA Gas Lift Arm Single with Duo Crossbar 2 White



M VESA Gas Lift Arm with Duo Crossbar 2

For screen size:	15" - 28"
VESA standard:	75x75, 100x100 mm
EAN:	Black: 735007373 6355 Silver: 735007373 6362 White: 735007373 6379
Colour:	Black / Silver / White
Screen weight:	Min. 2 x 2 kg - Max. 2 x 7 kg
Function:	Gas driven piston
Weight:	4.1 kg
Tilt angle:	+25° - -25°
Turn angle:	+90° - -90°
Rotate:	360°
Measurements:	665x120x515 (D*W*H)
Adjustable height:	175 - 515mm (From table top to VESA plate center)
Installation:	Desk clamp, adjustable 10 - 50mm
Warranty:	2 years

Dual monitor Side by Side

Optimize space, productivity and comfort with dual monitors side by side

Need to get that sleek new Odyssey up off of your desk? Our Odyssey compatible monitor arms will help you clear up valuable desk space. Our innovative solution for Samsung Odyssey series is the choice. The M Gas Lift Arm Samsung Odyssey G9 is made out of a durable aluminum construction and uses a gas driven suspension technique.

Highlights:

Super flexible

Designed for side by side, low, high screen angle views

Better motion

This arm positions two monitors up, down, landscape or portrait

Space saving

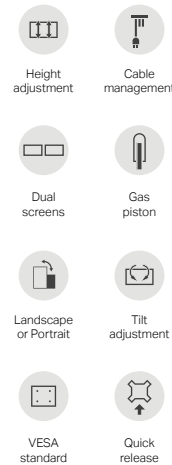
Clear your desk and enlarge your working area

Scandinavian design

We designed this with both mechanics and aesthetics in mind

Highest build quality

This gas arm is built to last longer than our competitors by passing our 10' 000 cycle motion test



Adding a second monitor

Increasingly, computer users are adding second monitors to their desk setups to allow for easier task switching and comparison between multiple files. Actually, using two displays side by side, according to in-

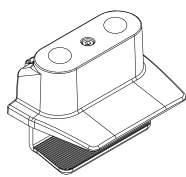
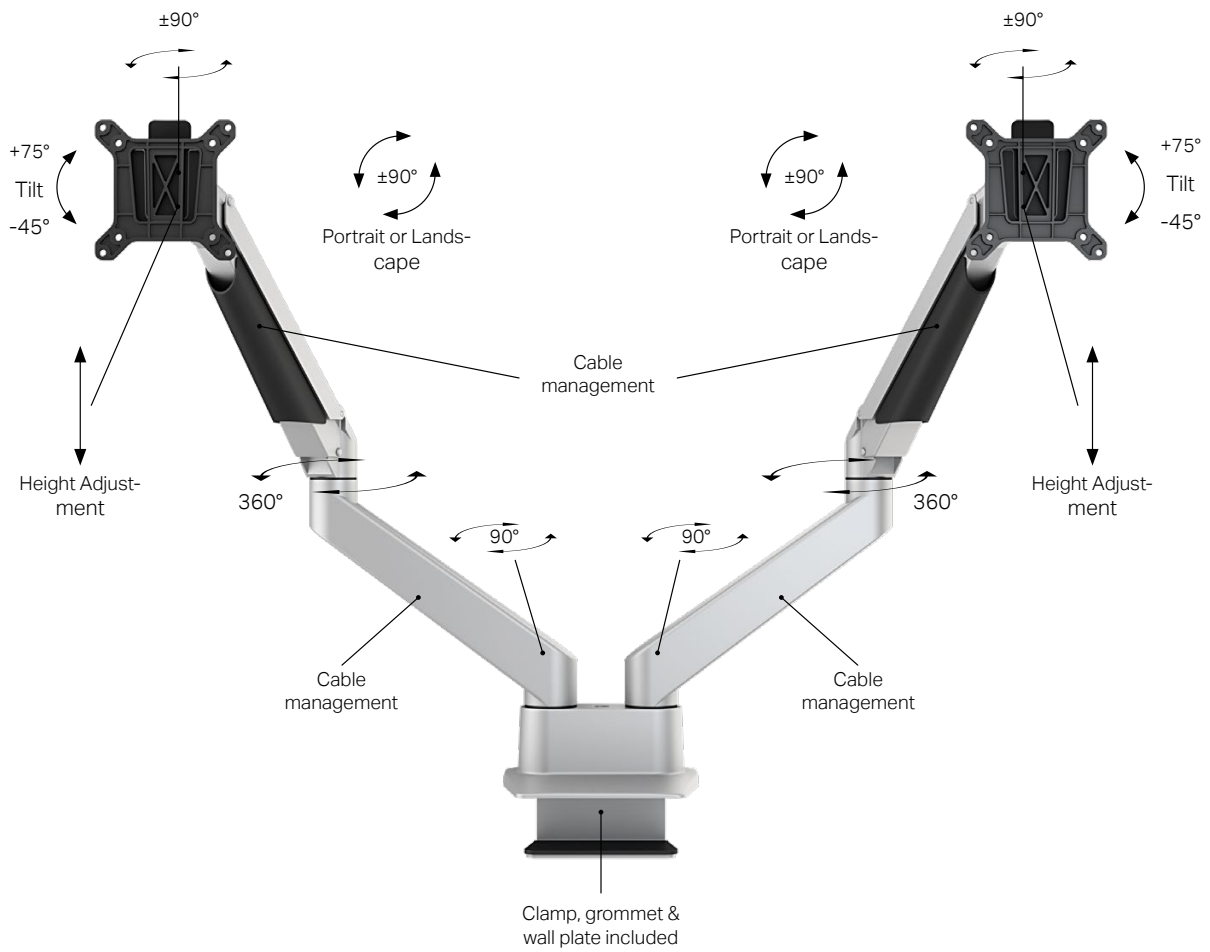
dependent tests, can increase productivity by up to 30%. Our range of side by side dual monitor display, effortlessly adjusts to suit your needs. Featuring extendable and retractable arms which tilt to alter reading

angles, not to mention rotating to either portrait or landscape modes. Having each monitor on individual gas driven arm allows one screen in landscape and the other in portrait as well as having the displays at a

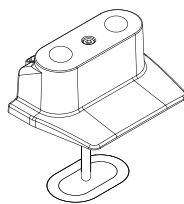
different distance depending how your eyes are responding. Our Side by side dual screen monitor arm series is aimed to keep coworkers efficient as well as clear desk space.



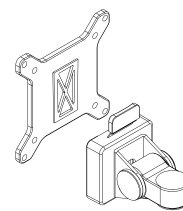
**For users who require
unparallel range of motion
or work with multiple
applications at once**



Desk clamp
(included)



Grommet
(included)



Quick release
(included)



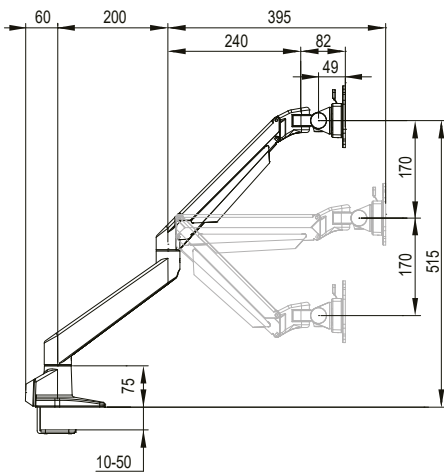
M VESA Gas Lift Arm
Dual Side by Side Black



M VESA Gas Lift Arm
Dual Side by Side White



M VESA Gas Lift Arm
Dual Side by Side Silver



	M VESA Gas Lift Arm Dual Side by Side	M VESA Gas Lift Arm Dual Side by Side Black HD
EAN:	Black: 73500733 3965 White: 735007373 3989 Silver: 735007373 3972	735007373 4207
Colour:	Black / White / Silver	Black
Surface Finish:	Powder coating	Powder coating
Material:	Aluminum, Steel	Aluminum, Steel
For screen size:	15"-32" * depending on screen type	15-32"
VESA standard:	75x75 100x100 mm	75x75 100x100 mm
Screen weight:	Min:2 kg Max. 10 kg	Min:9 kg - Max. 21 kg
Function:	Gas driven piston	Gas driven piston
Product size:	1300x650x605 mm	1300*650*605mm
Weight:	6.8 kg	6.8 kg
Tilt angle:	+75 - 45 degrees	+75 - 45 degrees
Turn angle:	+90 - 90 degrees	+90 - 90 degrees
Rotate:	90 degrees	90 degrees
Installation:	Desk clamp, adjustable 10-50 mm	Desk clamp, adjustable 10-85 mm
Cable Management:	Yes	Yes
Warranty:	2 years	2 years

Multi Monitor Solutions

Dual and Quad

Multiple monitors can streamline your work and increase your work productivity

We believe the M VESA Gas Lift Arm Dual/Quad series to be one of the world's best multi monitor arm systems. The durable system made out of mainly aluminum can safely secure two or up to four monitors at once and with its accessories it can accommodate various configurations.

Highlights:

Super flexible

Two or four monitors independently adjustable to fit your daily needs.

Space saving

Clears your desk and creates extra workspace while maximizing comfort.

Heavy duty

Single Pole with heavy duty clamp.









Well designed

3rd generation Gas arm designed with both mechanics and aesthetics in mind.

Highest build quality

Our gas arms are built to last longer than our competitors by passing our 10000 cycle motion test.



-  Height adjustment
-  Cable management
-  Quad screens
-  Gas piston
-  Landscape or Portrait
-  Tilt adjustment
-  VESA standard
-  Quick release



Utilizing the Multibrackets new generation of Quick release monitor arms it provides cutting edge features for any IT department to reduce downtime if monitor service is needed. M VESA Gas Lift

Arm Dual/Quad is perfect for the modern workplace and encourages flexibility and collaboration at the workstation. After installation one can easily set each monitor at an optimal distance and height, this

increases usable desk space and allows the user to work in a healthy posture throughout the day even with as much as 4 different monitors at the desk. The built in innovative cable management system will gua-

rantee that your desk remains uncluttered. With the aim to be simple to install, easy to use, this series provides an overall reduced cost of ownership.

Maximize desk space and improve productivity





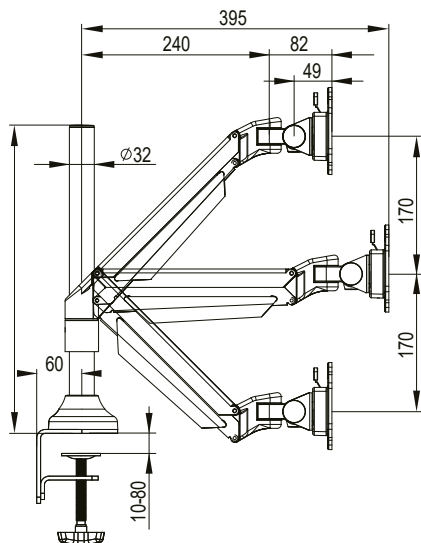
M VESA Gas Lift Arm Dual Black



M VESA Gas Lift Arm Dual White



M VESA Gas Lift Arm Dual Silver



	Dual	Dual HD
For screen size:	15-(32)*	15-(32)*
VESA standard:	75x75, 100x100 mm	75x75, 100x100 mm
EAN:	Black: 735002273 7204 White: 735002273 7181 Silver: 735002273 7198	735007373 2593
Colour:	Black / White / Silver	Black
Screen weight:	Min. 2 kg Max. 10 kg	Min. 9 kg Max. 21 kg
Function:	Gas driven piston	Gas driven piston
Warranty:	2 years	2 years
Weight:	10,3 kg	10,3 kg
Tilt angle:	+75 - 45 degrees	+75 - 45 degrees
Turn angle:	+90 - 90 degrees	+90 - 90 degrees
Rotate:	90 degrees	90 degrees



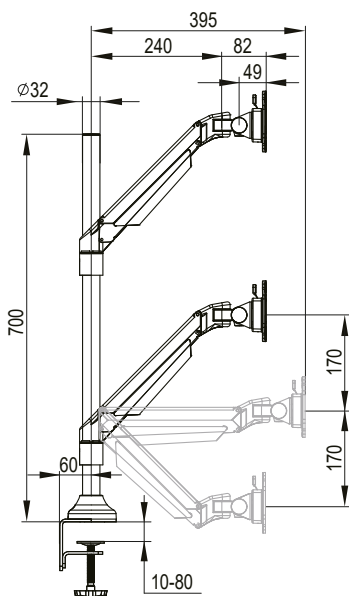
M VESA Gas Lift Arm Quad Black



M VESA Gas Lift Arm Quad White



M VESA Gas Lift Arm Quad Silver



	Quad	Quad HD
For screen size:	15-(32)*	15-(32)*
VESA standard:	75x75, 100x100 mm	75x75, 100x100 mm
EAN:	Black: 735002273 7235 White: 735002273 7211 Silver: 735002273 7228	735007373 2609
Colour:	Black / White / Silver	Black
Screen weight:	Min. 2 kg Max. 10 kg	Min. 9 kg Max. 21 kg
Function:	Gas driven piston	Gas driven piston
Warranty:	2 years	2 years
Weight:	10,3 kg	10,3 kg
Tilt angle:	+75 - 45 degrees	+75 - 45 degrees
Turn angle:	+90 - 90 degrees	+90 - 90 degrees
Rotate:	90 degrees	90 degrees

Multi Monitor Solutions


M VESA Gas Lift Arm Pole


A double jointed gas suspended monitor arm on a pole.


This Gas Lift Arm is made out of a durable aluminum construction and uses a gas driven suspension technique. This makes the screen "float" and it can be moved with near zero effort. Sleek and streamlined, frees up space and allows positioning of your display for greater productivity.


The unique counterbalance gas technology provides smooth adjustment in any direction. Move the screen from landscape to portrait position or move the screen close to the desk, high up, matching almost any wanted working position imaginable.





- 


Height adjustment
- 


Cable management
- 

Landscape or Portrait
- 

Gas piston
- 

VESA standard
- 

Tilt adjustment
- 

Quick release
- 

Dual screens



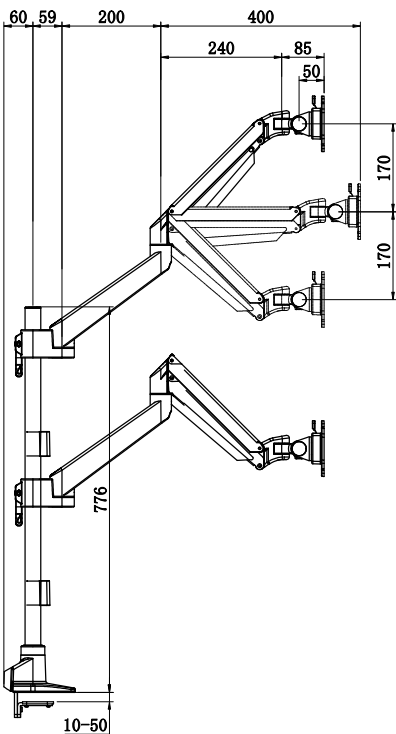
Basic Pole



Basic Single Pole



Dual Stacked Pole



	M VESA Gas Lift Arm Basic Pole	M VESA Gas Lift Arm Basic Single Pole	M VESA Gas Lift Arm Dual Stacked Pole
For screen size:	15"-34"	15"-34"	15"-34"
VESA standard:	75x75, 100x100 mm	75x75, 100x100 mm	75x75, 100x100 mm
Article No:	735010521 4264	735010521 4271	735010521 4288
Colour:	Black	Black	Black
Screen weight:	Min. 2 kg - Max. 10 kg	Min. 2 kg — Max. 10 kg	Min. 2 kg — Max. 10 kg
Function:	Gas driven piston	Gas driven piston	Gas driven piston
Weight:	2,5 kg	3,5 kg	4,5 kg
Tilt angle:	+75 — -45 degrees	+75 — -45 degrees	+75 — -45 degrees
Turn angle:	+90 — -90 degrees	+90 — -90 degrees	+90 — -90 degrees
Rotate:	90 degrees	90 degrees	90 degrees
Warranty:	2 years	2 years	2 years

M VESA Gas Lift Arm Single with handle

Grab the handle and move your display into position

An adjustable monitor arm puts you in control of your workspace, at work or at home. Up. Down. Forward. Back is now only a matter of choice.

Highlights:

Ultimate fit

Improve your monitors movement and overall ergonomics

Mounts on your desk or onto a wall








Works with most mid size displays up to 32"

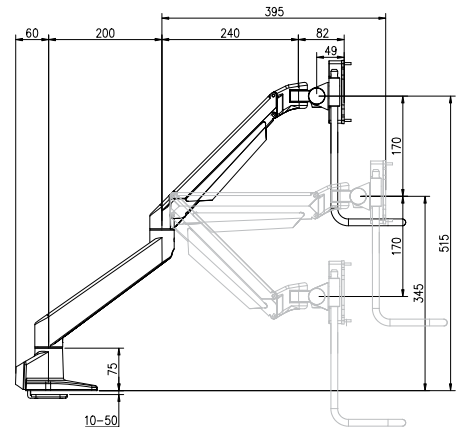
Saves space and holds your cables hidden

Title

Utilizing the Multibrackets new generation of Quick release monitor arms it provides cutting edge features for any IT department to reduce downtime if monitor service is needed.



-  Height adjustment
-  Cable management
-  Landscape or Portrait
-  Gas piston
-  VESA standard
-  Tilt adjustment
-  Quick release





M VESA Gas Lift Arm Single
Black with Handle



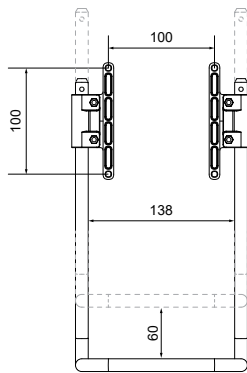
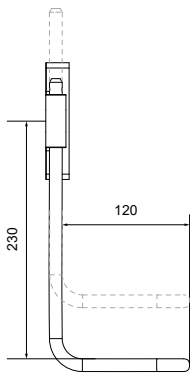
M VESA Gas Lift Arm Single
Silver with Handle



M VESA Gas Lift Arm Single
White with Handle



M VESA Gas Lift Arm Single
Black HD with Handle



M Gas Lift Arm Handle

EAN:	735010521 2574
Material:	Steel
Color:	Metallic
Surface Finish:	Powder coating
Weight:	0.5 kg
Measurements	230x120x138 mm
Installation:	M Gas Lift Arm mounts
Warranty:	5 years



	M VESA Gas Lift Arm Single Black with Handle	M VESA Gas Lift Arm Single Silver with Handle	M VESA Gas Lift Arm Single White with Handle	M VESA Gas Lift Arm Single Black HD with Handle
For screen size:	15"-32"	15"-32"	15"-32"	15"-32"
VESA standard:	75x75, 100x100 mm	75x75, 100x100 mm	75x75, 100x100 mm	75x75, 100x100 mm
EAN:	735010521 2581	735010521 2598	735010521 2604	735010521 2611
Combination Article:	7174 + 2574	7167 + 2574	7150 + 2574	2449 + 2574
Colour:	Black	Silver	White	Black
Screen weight:	Min. 2 kg - Max. 10 kg	Min. 2 kg - Max. 10 kg	Min. 2 kg - Max. 10 kg	Min. 2 kg - Max. 21 kg
Function:	Gas driven piston	Gas driven piston	Gas driven piston	Gas driven piston
Weight:	3,5 kg	3,5 kg	3,5 kg	3,5 kg
Tilt angle:	+75 — -45°	+75 — -45°	+75 — -45°	+75 — -45°
Turn angle:	+90 — -90°	+90 — -90°	+90 — -90°	+90 — -90°
Rotate:	± 90°	± 90°	± 90°	± 90°
Warranty:	2 years	2 years	2 years	2 years

Not recommended for Samsung Odyssey Series or other extreme curved models.

M VESA Gas Lift Arm Wall

Folds to within just centimeters of wall in storage position

An adjustable monitor arm puts you in control of your workspace, at work or at home. Up. Down. Forward. Back is now only a matter of choice.

Highlights:

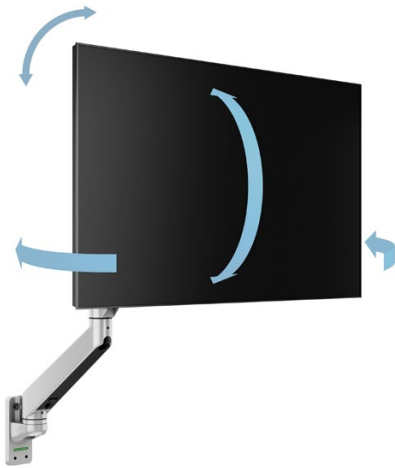
Ultimate fit









Improve your monitors movement and overall ergonomics

Mounts on your desk or onto a wall

Works with most mid size displays up to 32"

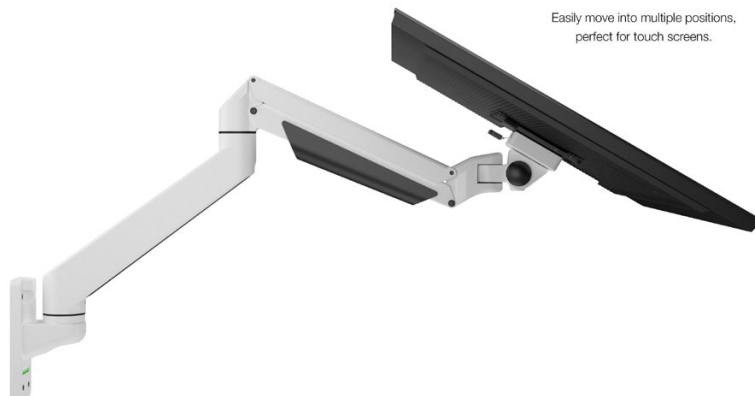
Saves space and holds your cables hidden



-  Height adjustment
-  Cable management
-  To wall option
-  Gas piston
-  Landscape or Portrait
-  Tilt adjustment
-  VESA standard
-  Quick release

Touch

Easily move into multiple positions, perfect for touch screens.



Utilizing the Multibrackets new generation of Quick release monitor arms it provides cutting edge features for any IT department to reduce downtime if monitor service is needed.



M VESA Gas Lift Arm Wall
Basic Black



M VESA Gas Lift Arm Wall
Basic Silver



M VESA Gas Lift Arm Wall
Basic White



M VESA Gas Lift Arm Wall
Single Black



M VESA Gas Lift Arm Wall
Single Silver



M VESA Gas Lift Arm Wall
Single White

	M VESA Gas Lift Arm Wall Basic	M VESA Gas Lift Arm Wall Single
For screen size:	15"-32"	15"-32"
VESA standard:	75x75, 100x100 mm	75x75, 100x100 mm
EAN:	Black: 735010521 1010 Silver: 735010521 1027 White: 735010521 1034	Black: 735010521 0983 Silver: 735010521 0990 White: 735010521 1003
Combination Article:	7174 + 1381	9383 + 1336
Colour:	Black / Silver / White	Black / Silver / White
Screen weight:	Min. 2 kg - Max. 10 kg	Min. 2 kg - Max. 10 kg
Function:	Gas driven piston	Gas driven piston
Weight:	3,4 kg	2,4 kg
Tilt angle:	+75 — -45°	+75 — -45°
Turn angle:	+90 — -90°	+90 — -90°
Rotate:	± 90°	± 90°
Option:	M Gas Lift Arm Handle	-
Warranty:	2 years	2 years

Accessories / Gas Lift Arms

Give your gas lift more flexibility

Lets find the right accessories for your work desk

Multibrackets complete selection of accessories and optional add ons for our Gas arm series Lets customize your Multibrackets monitor mount to fit you and your workspace even better.

With one of the most comprehensive and wide assortments of Gasarms we also strive to have a wide assortment of accessories to add individualized freedom and flexibility even further.

This assortment is updated on a continuous basis, check online for the latest updates.

M Laptop Holder Gas Lift Arm

Lets start utilizing your notebook as a second screen.

Add this accessory to a gaslift arm and start position your notebook computer where you need it most. Works with most traditional laptops or the convertible notebooks, in either tablet or laptop mode.



Model:	M Gas Lift Samsung G7 Adapter
For screen size:	24"-32"
VESA standard:	Non VESA suits Samsung Odyssey G7 series
EAN:	7350105213267
Colour:	Silver
Weight:	0,4 kg
Warranty:	5 years



Accessories / Gas Lift Arms



Model: M VESA 75 100 Duo
Crossbar with handle Black

EAN: 735007373 4894

Suitable for: M VESA Gas Lift Arm Single

For screen size: 2 x 17-23"

Colour: Black

Weight: 1.75 kg

Warranty: 5 years



Model: M VESA 75 100 Duo
Crossbar with handle Silver

EAN: 735007373 4900

Suitable for: M VESA Gas Lift Arm Single

For screen size: 2 x 17-23"

Colour: Silver

Weight: 1.75 kg

Warranty: 5 years



Model: M VESA 75 100 Duo
Crossbar with handle White

EAN: 735007373 4917

Suitable for: M VESA Gas Lift Arm Single

For screen size: 2 x 17-23"

Colour: White

Weight: 1.75 kg

Warranty: 5 years



Model: M VESA 75 100 Duo Quick
Release Plate Black

EAN: 735007373 0711

Suitable for: M VESA Gas Lift Arm Single

For screen size: 2 x 17-23"

Colour: Black

Weight: 2 kg

Warranty: 5 years



Model: M Duo Deskmount Black

EAN: 735007373 0704

Suitable for: M VESA Gas Lift Arm Single

Colour: Black

Weight: 2 kg

Warranty: 5 years



Model: M Duo Deskmount Silver

EAN: 735007373 0896

Suitable for: M VESA Gas Lift Arm Single

Colour: Silver

Weight: 2 kg

Warranty: 5 years



Model: M Duo Deskmount White

EAN: 735007373 0902

Suitable for: M VESA Gas Lift Arm Single

Colour: White

Weight: 2 kg

Warranty: 5 years



Model: M Gas Lift VESA
Adapter 200x200

EAN: 735007373 2548

Suitable for: M VESA Gas Lift Arm Series with VESA
mounting

Colour: Silver

Weight: 0.35 kg

Warranty: 5 years



Model: M Extension Pipe 10cm for
M VESA Gas Lift Arm Single
Black

EAN: 735007373 5396

Suitable for: M VESA Gas Lift Arm Single
/ Single HD

Colour: Black

Weight: 0.35 kg

Warranty: 5 years



Model: M Extension Pipe 10cm for
M VESA Gas Lift Arm Single
Silver

EAN: 735007373 5402

Suitable for: M VESA Gas Lift Arm Single
/ Single HD

Colour: Silver

Weight: 0.35 kg

Warranty: 5 years



Model: M Extension Pipe 10cm for
M VESA Gas Lift Arm Single
White

EAN: 735007373 5419

Suitable for: M VESA Gas Lift Arm Single
/ Single HD

Colour: White

Weight: 0.35 kg

Warranty: 5 years



Model: M VESA 75 100 Quick
Release Plate

EAN: 735007373 8014

Suitable for: M VESA Gas Lift Arm Single
/ Single HD

Colour: Black

Weight: 0.1 kg

Warranty: 5 years

Accessories / Gas Lift Arms



Model: M Wall Adapter Single Black

EAN: 735007373 1381

Suitable for: M VESA Gas Lift Arm Single

Colour: Black

Weight: 0.6 kg

Warranty: 5 years



Model: M Wall Adapter Single Silver

EAN: 735007373 1374

Suitable for: M VESA Gas Lift Arm Single

Colour: Silver

Weight: 0.6 kg

Warranty: 5 years



Model: M Wall Adapter Single White

EAN: 735007373 1367

Suitable for: M VESA Gas Lift Arm Single

Colour: White

Weight: 0.6 kg

Warranty: 5 years



Model: M Wall Adapter Basic Black

EAN: 735007373 1350

Suitable for: M VESA Gas Lift Arm Basic

Colour: Black

Weight: 0.6 kg

Warranty: 5 years



Model: M Wall Adapter Basic Silver

EAN: 735007373 1343

Suitable for: M VESA Gas Lift Arm Basic

Colour: Silver

Weight: 0.6 kg

Warranty: 5 years



Model: M Wall Adapter Basic White

EAN: 735007373 1336

Suitable for: M VESA Gas Lift Arm Basic

Colour: White

Weight: 0.6 kg

Warranty: 5 years



Model: M Laptop Holder Gas Lift Arm Black

EAN: 735002273 7525

Suitable for: M VESA Gas Lift Arm or any other VESA mount

Colour: Black

Weight: 0.5 kg

Warranty: 5 years



Model: M Laptop Holder Gas Lift Arm Silver

EAN: 735002273 7532

Suitable for: M VESA Gas Lift Arm or any other VESA mount

Colour: Silver

Weight: 0.5 kg

Warranty: 5 years



Model: M Laptop Holder Gas Lift Arm White

EAN: 735002273 7518

Suitable for: M VESA Gas Lift Arm or any other VESA mount

Colour: White

Weight: 0.5 kg

Warranty: 5 years

M VESA Gas Spring Single

Battle today's fast paced environments with increased efficiency and reclaimed desk space

Reposition your LCD with ease. Flexible, sleek and streamlined the M Deskmount Spring Single frees up space and allows positioning of your display for greater productivity. Up, down, forward and back is now just a matter of your choice.

Highlights:

Ergonomic

landscape and portrait mode

Adjust your monitors height and position

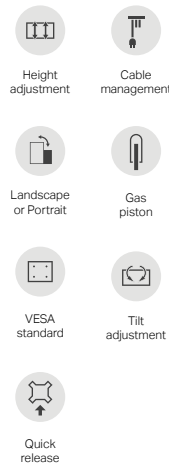
Rotate horizontally 180° in each direction

Built in Cable management system

VESA 75/100 fits most 15"-27" monitors

Clamp or grommet installation

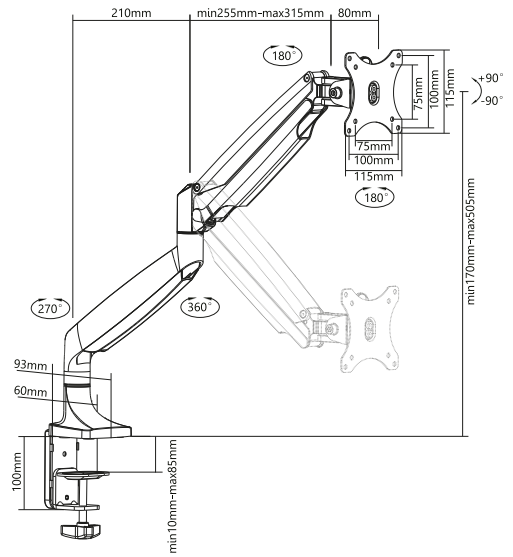
Supports monitors weighing from 1 kg up to 9 kg



Finally comfort and ergonomics and economy is possible to achieve. With The M Deskmount Spring Single you can easily set the screen to your specific work position. By doing so you save back, neck and eyes. The M Deskmount Spring Single is your new office

partner giving greater flexibility. M Deskmount Spring Single is well-functioning with almost all standard LCD monitors on the market supporting VESA standards of 75/100mm holding screen weight from 1 kg up to 9 kg





Model: M Deskmount Gas Spring Single

For screen size: 15"-27"

VESA standard: 75x75, 100x100 mm

EAN: Black: 735007373 3262
White: 735007373 7079
Silver: 735007373 3255

Colour: Black / White / Silver

Material: Aluminum, steel

Weight: 3,4 kg

Max load: Min load: 1 kg - Max load: 9 kg

Height: 170 - 505mm Adjustable from table top to VESA plate center

Tilt: Yes

For desktop width: 10-85 mm

Warranty: 2 years

M VESA Gas Spring Dual

Battle today's fast paced environments with increased efficiency and reclaimed desk space

Reposition your LCD with ease. Flexible, sleek and streamlined the M Deskmount Spring Single frees up space and allows positioning of your display for greater productivity. Up, down, forward and back is now just a matter of your choice.



Height adjustment



Cable management



Dual screens



Tilt adjustment



Landscape or Portrait



Quick release



VESA standard

Highlights:

Dual screens

Ergonomic

Landscape and portrait mode

Adjust your monitors height and position

Rotate horizontally 180° in each direction

Built in Cable management system

VESA 75/100 fits most 15"-27" monitors

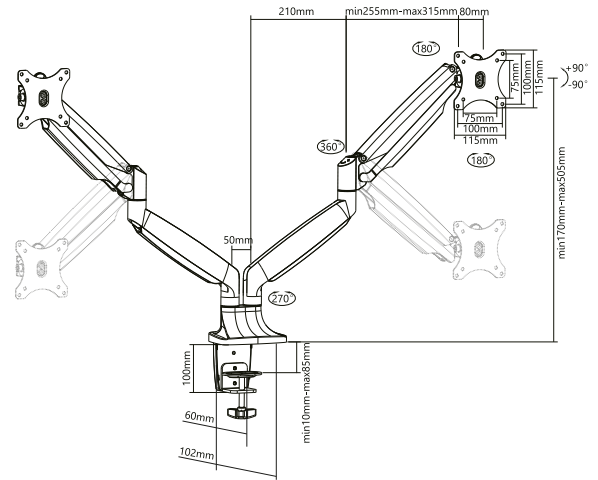
Clamp or grommet installation

Supports monitors weighing from 1 kg up to 9 kg

Finally comfort and ergonomics and economy is possible to achieve. With The M Deskmount Spring Single you can easily set the screen to your specific work position. By doing so you save back, neck and eyes. The M Deskmount Spring Single is your new office

partner giving greater flexibility. M Deskmount Spring Single is well-functioning with almost all standard LCD monitors on the market supporting VESA standards of 75/100mm holding screen weight from 1 kg up to 9 kg





Model: M Deskmount Gas Spring Dual

For screen size: 15"-27"

VESA standard: 75x75, 100x100 mm

EAN: Black: 735007373 3286
Silver: 735007373 3279
White: 735007373 7086

Colour: Black / White / Silver

Material: Aluminum, steel

Weight: 6 kg

Max load: Min load: 1 kg - Max load: 9 kg

Height: 170 - 505mm Adjustable from table top to VESA plate center

Tilt: Yes

For desktop width: 10 - 85 mm

Warranty: 2 years

M VESA Deskmount HD

32" - 50"

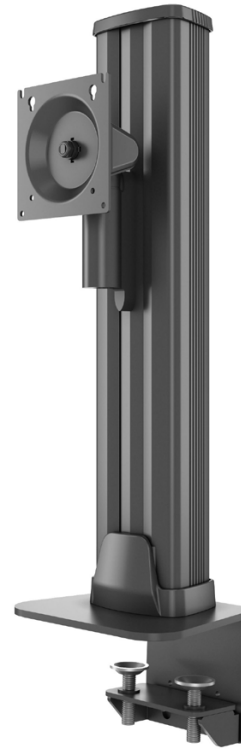
Maximum ergonomic comfort for displays up to 50"

M VESA Deskmount HD Single 32"-50" frees up space and allows positioning of your display for greater productivity. Flexible, sleek and streamlined. Create a monitorwall on your desk.

Highlights:

- A high level designed productline for office use
- Made for the semi professional user
- Creates maximum ergonomic comfort for displays up to 50"
- Simplified installation and simple after adjustment possibilities
- Plexi based cable management (included)
- Optional through hole installation with Grommet Base

- Height adjustment
- Cable management
- HD Heavy duty
- XL Extra large
- Landscape or Portrait
- Tilt adjustment
- VESA standard



Wide



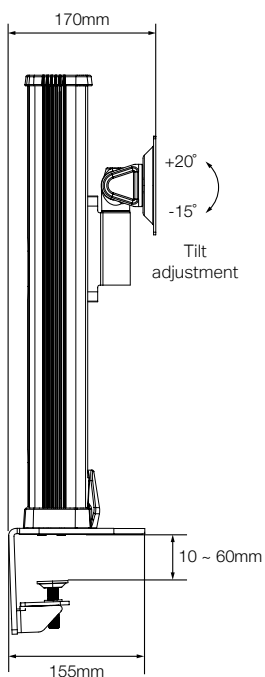
16:9



Reposition your LCD´s with ease and align them with the ones positioned next to each other. Tilt, upwards tilt, left or right is now just a matter of your choice. Finally comfort and ergonomics is really

possible to achieve while building a multiple screen solution on a desk. With the M VESA Deskmount HD Single 32"-50" you can easily manage each screens specific position.





	Deskmount	Grommet base	Table stand	Wallmount
EAN:	735010521 0723	735010521 0563	735010521 0570	7350105211 911
Colour:	Black	Black	Black	Black
Material:	Aluminum / Steel	Aluminum	Aluminum	Steel
Weight:	6 kg	0.5 kg	3.1 kg	
Measurements:	520x155x190 mm	210x210x40mm	410x395x40mm	
Warranty:	5 years	5 years	5 years	5 years
For screen size:	32" - 50"			
Tilt:	Yes -15° - +20°			
Swivel:	Yes ±20°			
Rotate:	Yes 360°			
Installation:	Desk clamp, adjustable 10-60 mm			
Universal VESA standard:	75x75, 100x100 mm			
Max load:	24 kg			
Adjustable height:	185 - 515mm			
Cable Management:	Yes			

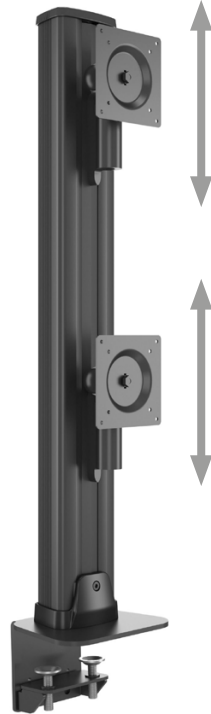
M VESA Deskmount HD Dual Vertical Widescreen 32"-50"

Maximum ergonomic comfort for displays up to 50"

Flexible, sleek and streamlined, the Dual Vertical version can position two screens on top of each other creating a monitorwall on your desk.

Highlights:

- A high level designed productline for office use
- Made for the semi professional user
- Creates maximum ergonomic comfort for displays up to 50"
- Simplified installation and simple after adjustment possibilities
- Plexi based cable management (included)
- Optional through hole installation with Grommet Base



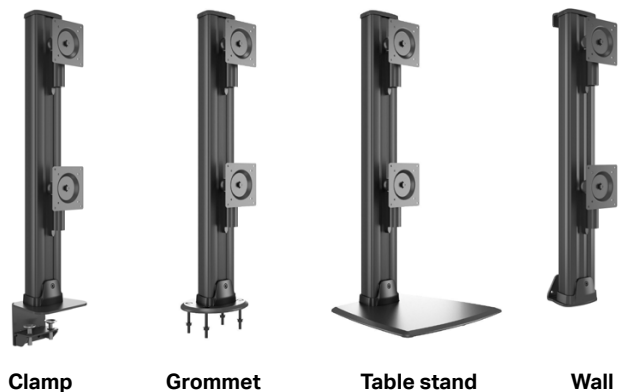
- Height adjustment
- Cable management
- HD
- Extra large
- Heavy duty
- Landscape or Portrait
- Tilt adjustment
- VESA standard
- Dual screens

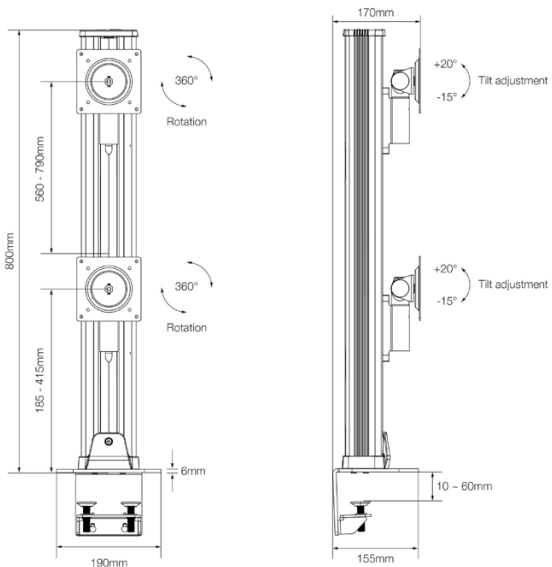
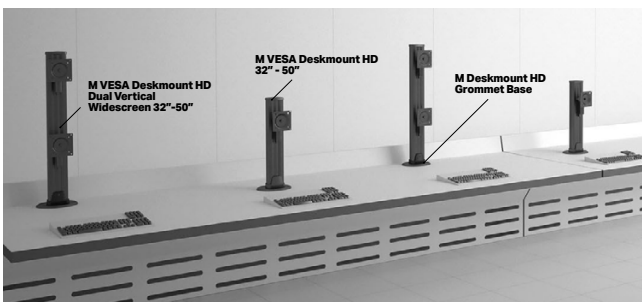
2x Wide



M VESA Deskmount HD Dual Vertical Widescreen 32" - 50" frees up space and allows positioning of your display for greater productivity. Flexible, sleek and streamlined, the Dual Vertical version you can position two screens

ontop of each other. Create a monitorwall on your desk. Reposition your LCD´s with ease and align them with the ones positioned next to each other. Tilt, upwards tilt, left or right is now just a matter of your choice.





EAN:	735010521 0556
Colour:	Black
Material:	Aluminum / Steel
Weight:	8 kg
Measurements:	800x170x190 mm
Warranty:	5 years
For screen size:	32" - 50"
Tilt:	Yes -15°- +20°
Swivel:	Yes ±20°
Rotate:	Yes 360°
Installation:	Desk clamp, adjustable 10-60 mm
VESA standard:	75x75, 100x100 mm
Max load:	24 kg per screen
Adj. height upper screen:	560-790 mm
Adj. height lower screen:	185-415mm
Cable Management:	Yes

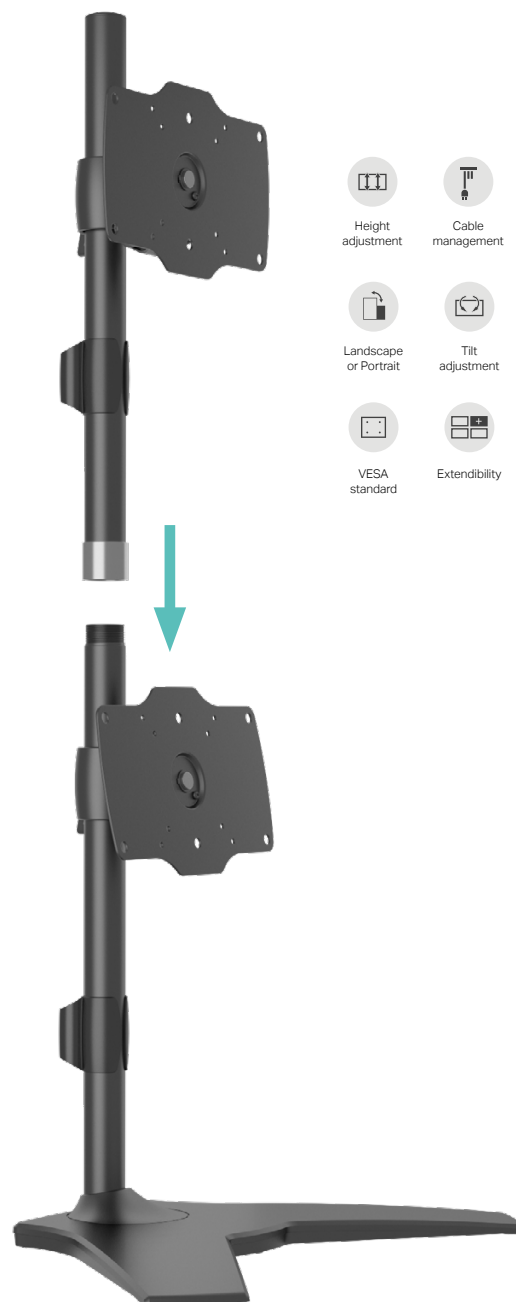
Officeline Pro M VESA Desktopmounts

Build your desktop monitor wall after your needs

Officeline Pro's key advantage is its modularity. This line up meets the needs of virtually every requirement in the modern computer workstation environment, offering exceptional adjustment; display, tilt, swivel and rotation and can accommodate a wide range of monitor weights and sizes.

Highlights:

- A high level designed productline for office use
- Made for the semi professional user
- Creates maximum ergonomic comfort for displays
- Simplified installation and simple after adjustment possibilities
- Plexi based cable management



Stay flexible

Build monitor walls of highest quality

Create the ideal multi display arrangement and position your monitors individually to increase productivity, reduce eye, neck and shoulder strain. At the same time, you will be saving space and creating the ultimate viewing position for each monitor with micro

adjustment possibilities for each display. The products are slender and low profile yet the weighted base provides enhanced stability and minimize clutter with the intuitive cable management system.



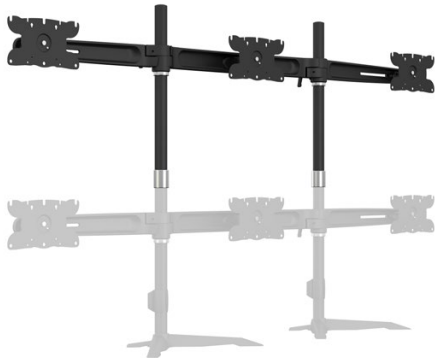
Deskstand

Clamp

Grommet



Perfect for the professional user Designers, architects and many more.





M VESA Desktopmount Single Desk Clamp
24"-32"



M VESA Desktopmount Dual Desk Clamp
24"-32"



M VESA Desktopmount Triple Desk Clamp
15"-24"

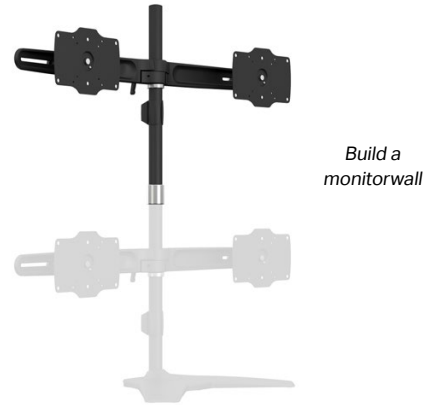


M VESA Desktopmount Triple Desk Clamp
24"-32"

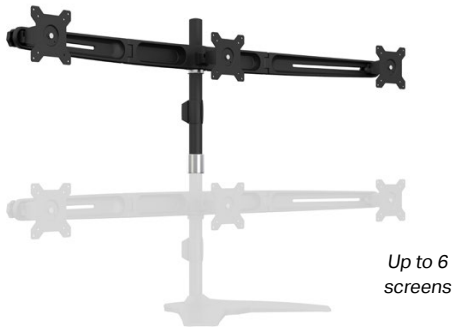
	M VESA Desktopmount Single Desk Clamp 24"-32"	M VESA Desktopmount Dual Desk Clamp 24"-32"	M VESA Desktopmount Triple Desk Clamp 15"-24"	M VESA Desktopmount Triple Desk Clamp 24"-32"
For screen size:	24"-32"	24"-32"	15"-24" (Max screen width: 575 mm)	24"-32"
VESA standard:	75x75, 100x100, 200x100	75x75, 100x100, 200x100	75x75, 100x100	75x75, 100x100, 200x100
EAN:	735010521 0358	735010521 0365	735010521 0372	735010521 0389
Size in mm:	541x226x128 mm	Available shortly	1280x370x307 (W*H*D)	1696x504x135 (W*H*D)
Weight:	3.5 kg	4.5 kg	5,3 kg	7 kg
Colour:	Black	Black	Black	Black
Max load:	15 kg for each screen	15 kg for each screen	8 kg per screen	8 kg per screen
Material	Steel / Aluminum / Plastic	Steel / Aluminum / Plastic	Steel / Aluminum / Plastic	Steel / Aluminum / Plastic
Tilt:	Up to +/-20° per screen	Up to +/-20° per screen	Up to +/-20° per screen	+15° ~ -10°
Rotate:	Up to +/-90° per screen	Up to +/-90° per screen	Up to +/-90° per screen	Up to +/-360° per screen
Yaw:	-	+/-10 degrees	+/-10 degrees	-
Warranty:	5 years	5 years	5 years	5 years



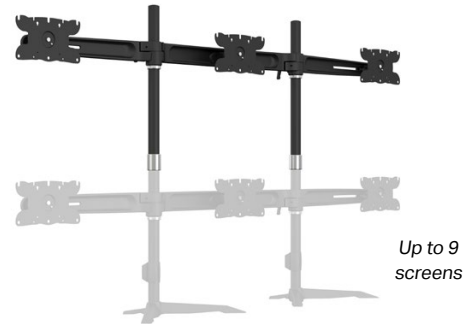
M VESA Desktopmount Single Stand
24"-32" Expansion Kit



M VESA Desktopmount Dual Stand
24"-32" Expansion Kit



M VESA Desktopmount Triple Stand
15"-24" Expansion Kit



M VESA Desktopmount Triple Stand
24"-32" Expansion Kit

	M VESA Desktopmount Single Stand 24"-32" Expansion Kit	M VESA Desktopmount Dual Stand 24"-32" Expansion Kit	M VESA Desktopmount Triple Stand 15"-24" Expansion Kit	M VESA Desktopmount Triple Stand 24"-32" Expansion Kit
For screen size:	24"-32" (Max screen width: 575 mm)	24"-32" (Max screen width: 840 mm)	15"-24" (Max screen width: 575 mm)	24"-32"
VESA standard:	75x75, 100x100, 200x100	75x75, 100x100, 200x100	75x75, 100x100	75x75, 100x100, 200x100
EAN:	735002273 7402	735002273 7426	735002273 5002	735007373 1329
Size in mm:	Available shortly	Available shortly	1280x388x77(W*H*D)	1696x946x135(W*H*D)
Weight:	2,5 kg	3,5 kg	4,5 kg	6,26 kg
Colour:	Black	Black	Black	Black
Max load:	12 kg per screen	12 kg per screen	8 kg per screen	8 kg per screen
Material	Steel / Aluminum / Plastic	Steel / Aluminum / Plastic	Steel / Aluminum / Plastic	Steel / Aluminum / Plastic
Tilt:	Up to +/-20° per screen	Up to +/-20° per screen	Up to +/-20° per screen	+15° / -10° per screen
Rotate:	Up to +/-90° per screen	Up to +/-90° per screen	Up to +/-90° per screen	Up to +/-360° per screen
Yaw:	Not available	+/-10°	+/-10 degrees	-
Warranty:	5 years	5 years	5 years	5 years



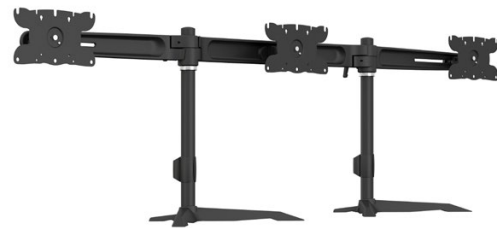
M VESA Desktopmount Single Stand
24"-32"



M VESA Desktopmount Dual Stand
24"-32"



M VESA Desktopmount Triple Stand
15"-24"



M VESA Desktopmount Triple Stand
24"-32"

	M VESA Desktopmount Single Stand 24"-32"	M VESA Desktopmount Dual Stand 24"-32"	M VESA Desktopmount Triple Stand 15"-24"	M VESA Desktopmount Triple Stand 24"-32"
For screen size:	24"-32"	24"-32"	15"-24" (Max screen width: 575 mm)	24"-32"
VESA standard:	75x75, 100x100, 200x100	75x75, 100x100, 200x100	75x75, 100x100	75x75, 100x100, 200x100
EAN:	735002273 7396	735002273 7419	735002273 4999	735007373 1312
Size in mm:	Available shortly	Available shortly	1280x370x307 (W*H*D)	1696x504x135 (W*H*D)
Weight:	3,5 kg	4,5 kg	5,3 kg	7 kg
Colour:	Black	Black	Black	Black
Max load:	15 kg for each screen	15 kg for each screen	8 kg per screen	8 kg per screen
Material	Steel / Aluminum / Plastic	Steel / Aluminum / Plastic	Steel / Aluminum / Plastic	Steel / Aluminum / Plastic
Tilt:	Up to +/-20° per screen	Up to +/-20° per screen	Up to +/-20° per screen	+15° ~ -10°
Rotate:	Up to +/-90° per screen	Up to +/-90° per screen	Up to +/-90° per screen	Up to +/-360° per screen
Yaw:	Not available	+/-10 degrees	+/-10 degrees	-
Warranty:	5 years	5 years	5 years	5 years



A perfect companion for widescreen displays



	M VESA Desktopmount Dual Vertical Desk Clamp 24"-32"	M VESA Desktopmount Quad Vertical Desk Clamp 24"-32"	M VESA Desktopmount Sixth Vertical Desk Clamp 24"-32"
For screen size:	24"-32"	24"-32"	24"-32"
VESA standard:	75x75, 100x100, 200x100	75x75, 100x100, 200x100	75x75, 100x100, 200x100
Article No:	735010521 2727	735010521 2734	735010521 2741
Article Combination:	0358 + 7402	2 x 0358 + 2 x 7402	3 x 0358 + 3 x 7402
Size in mm:	1064x226x128 mm	1064x226x128 mm	1064x226x128 mm
Weight:	6.3 kg (3.5 kg + 2.8 kg)	12.6 kg (2x3.5 kg + 2x2.8 kg)	18.9 kg (3x3.5 kg + 3x2.8 kg)
Colour:	Black	Black	Black
Max load:	15 kg for each screen	15 kg for each screen	15 kg for each screen
Tilt:	Up to +/-20 degrees for each screen	Up to +/-20 degrees for each screen	Up to +/-20 degrees for each screen
Rotate:	Up to +/-90 degrees for each screen	Up to +/-90 degrees for each screen	Up to +/-90 degrees for each screen
Warranty:	5 years	5 years	5 years

Accessories / Officeline Pro

**M Desktopmount
VESA Adapter 200x200**

EAN:	735007373 1909
Suitable for:	M VESA Desktopmount Officeline Pro
Colour:	Black
Weight:	0.26 kg
Warranty	5 years



**M Desktopmount
Single-Dual-Triple Stand
Grommet Base**

EAN:	735002273 7433
Suitable for:	M VESA Desktopmount Officeline Pro
Colour:	Black
Weight:	0.5 kg
Warranty	5 years



**M Desktopmount
Single-Dual-Triple Stand
Desk Clamp**

EAN:	735002273 5019
Suitable for:	M VESA Desktopmount Officeline Pro
Colour:	Black
Weight:	2 kg
Warranty	5 years



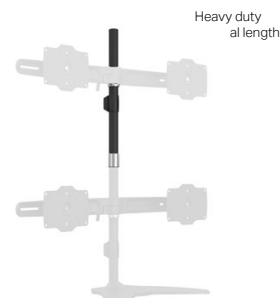
**M Desktopmount
Single / Dual / Triple Stand
Table Stand**

EAN:	735010521 0242
Suitable for:	M VESA Desktopmount Officeline Pro
Colour:	Black
Weight:	0.9 kg
Warranty	5 years



**M Desktopmount
Single / Dual / Triple
Stand 46cm Pipe**

EAN:	735002273 7440
Suitable for:	M VESA Desktopmount Officeline Pro
Colour:	Black
Weight:	1.5 kg
Warranty	5 years



Officeline

Frees up space - Allowing positioning of your display for greater productivity

From a simple single monitor desk stand to a more system like thinking capable of handling multiple monitors. Multibrackets Officeline offers a wide variety of stands to meet virtually any demand.

Highlights:

- A high level designed productline for office use
- Made for the semi professional user
- Creates maximum ergonomic comfort for displays
- Simplified installation and simple after adjustment possibilities
- Plexi based cable management
- Optional through hole installation with Grommet Base



Low-profile, single monitor stands allowing the user to freely position the monitor anywhere along the edge of the desk allowing a line of sight across the table. At the other end of the spectrum, the multi monitor Officeline Dual and Quad mounting system offering great scalability: Start with two monitors and gradually

expand to 3, 4, 6 or 8 monitors as your needs change, while independently adjusting each monitor to the precise position and angle you need.





Aimed for office users searching for flexible design and attention to details.



M VESA Deskmount Officeline Single



M VESA Deskmount Officeline Single I



M VESA Deskmount Officeline Single II



M VESA Deskmount Officeline Dual

	M VESA Deskmount Officeline Single	M VESA Deskmount Officeline Single I	M VESA Deskmount Officeline Single II	M VESA Deskmount Officeline Dual
EAN:	735007373 5822	7 35007373 5839	735007373 5846	735007373 5853
Colour:	Black	Black	Black	Black
For screen size:	15-30"	15-30"	15-30"	15-30"
VESA standard:	75x75, 100x100 mm	75x75, 100x100 mm	75x75, 100x100 mm	75x75, 100x100 mm
Material:	Steel	Steel	Steel	Steel
Max load:	8 kg	8 kg	8 kg	8 kg per screen
Weight:	2.2 kg	2.5 kg	2.9 kg	2.5 kg
Measurements:	116x32x480 (D*W*H)	311x32x480 (D*W*H)	506x32x480 (D*W*H)	116x32x480 (D*W*H)
Adjustable height from table top to VESA plate center:	0 - 480mm	0 - 480mm	0 - 480mm	0 - 480mm
Tilt:	Yes 85- -60°	Yes 85- -60°	Yes 85- -60°	Yes 85- -60°
Swivel:	Yes 360°	Yes 360°	Yes 360°	Yes 360°
Pivot:	Yes ±90°	Yes ±90°	Yes ±90°	Yes ±90°
Installation:	Desk clamp, adjustable 10 - 50mm	Desk clamp, adjustable 10 - 50mm	Desk clamp, adjustable 10 - 50mm	Desk clamp, adjustable 10 - 50mm
Option:	M VESA Deskmount Officeline Grommet Base Black - EAN: 5884	M VESA Deskmount Officeline Grommet Base Black - EAN: 5884	M VESA Deskmount Officeline Grommet Base Black - EAN: 5884	M VESA Deskmount Officeline Grommet Base Black - EAN: 5884
For desktop width:	10 - 50mm	10 - 50mm	10 - 50mm	10 - 50mm
Warranty:	5 years	5 years	5 years	5 years



M VESA Deskmount Officeline Dual B2B



M VESA Deskmount Officeline Dual Vertical



M VESA Deskmount Officeline Quad B2B



M VESA Deskmount Officeline Quad

	M VESA Deskmount Officeline Dual B2B	M VESA Deskmount Officeline Dual Vertical	M VESA Deskmount Officeline Quad B2B	M VESA Deskmount Officeline Quad
EAN:	735007373 5860	735007373 5877	735007373 5907	735007373 5891
Colour:	Black	Black	Black	Black
For screen size:	15-30"	15-30"	15-30"	15-30"
VESA standard:	75x75, 100x100 mm	75x75, 100x100 mm	75x75, 100x100 mm	75x75, 100x100 mm
Material:	Steel	Steel	Steel	Steel
Max load:	8 kg per screen	8 kg per screen	8 kg per screen	8 kg per screen
Weight:	4.1 kg	2.4 kg	4.1 kg	4.1 kg
Measurements:	506x32x480 (D*W*H)	116x32x910 (D*W*H)	506x32x900 (D*W*H)	506x32x900 (D*W*H)
Adjustable height from table top to VESA plate center:	0 - 480mm	0 - 910mm	0 - 900mm	0 - 900mm
Tilt:	Yes 85- -60°	Yes 85- -60°	Yes 85- -60°	Yes 85- -60°
Swivel:	Yes 360°	Yes 360°	Yes 360°	Yes 360°
Pivot:	Yes ±90°	Yes ±90°	Yes ±90°	Yes ±90°
Installation:	Desk clamp, adjustable 10 - 50mm	Desk clamp, adjustable 10 - 50mm	Desk clamp, adjustable 10 - 50mm	Desk clamp, adjustable 10 - 50mm
Option:	M VESA Deskmount Officeline Grommet Base Black - Art: 5884	M VESA Deskmount Officeline Grommet Base Black - Art: 5884	M VESA Deskmount Officeline Grommet Base Black - Art: 5884	M VESA Deskmount Officeline Grommet Base Black - Art: 5884
For desktop width:	10 - 50mm	10 - 50mm	10 - 50mm	10 - 50mm
Warranty:	5 years	5 years	5 years	5 years



M VESA Desktop Mount Officeline Single



M VESA Desktop Mount Officeline Single I



M VESA Desktop Mount Officeline Single II



M VESA Desktop Mount Officeline Dual

	M VESA Desktop Mount Officeline Single	M VESA Desktop Mount Officeline Single I	M VESA Desktop Mount Officeline Single II	M VESA Desktop Mount Officeline Dual
EAN:	735007373 5150	735007373 5167	735007373 5174	735007373 5181
Colour:	White	White	White	White
For screen size:	15-30"	15-30"	15-30"	15-30"
VESA standard:	75x75 100x100 mm	75x75 100x100 mm	75x75 100x100 mm	75x75 100x100 mm
Material:	Steel	Steel	Steel	Steel
Max load:	8 kg	8 kg	8 kg	8 kg per screen
Weight:	2.2 kg	2.5 kg	2.9 kg	2.5 kg
Measurements:	116x32x480 (D*W*H)	311x32x480 (D*W*H)	506x32x480 (D*W*H)	116x32x480 (D*W*H)
Adjustable height from table top to VESA plate center:	0 - 480mm	0 - 480mm	0 - 480mm	0 - 480mm
Tilt:	Yes 85- -60°	Yes 85- -60°	Yes 85- -60°	Yes 85- -60°
Swivel:	Yes 360°	Yes 360°	Yes 360°	Yes 360°
Pivot:	Yes ±90°	Yes ±90°	Yes ±90°	Yes ±90°
Installation:	Desk clamp, adjustable 10 - 50mm	Desk clamp, adjustable 10 - 50mm	Desk clamp, adjustable 10 - 50mm	Desk clamp, adjustable 10 - 50mm
Option:	M VESA Desktop Mount Officeline Grommet Base White - EAN: 5303	M VESA Desktop Mount Officeline Grommet Base White - EAN: 5303	M VESA Desktop Mount Officeline Grommet Base White - EAN: 5303	M VESA Desktop Mount Officeline Grommet Base White - EAN: 5303
For desktop width:	10 - 50mm	10 - 50mm	10 - 50mm	10 - 50mm
Warranty:	5 years	5 years	5 years	5 years



M VESA Deskmount Officeline Dual B2B



M VESA Deskmount Officeline Dual Vertical



M VESA Deskmount Officeline Quad B2B



M VESA Deskmount Officeline Quad

	M VESA Deskmount Officeline Dual B2B	M VESA Deskmount Officeline Dual Vertical	M VESA Deskmount Officeline Quad B2B	M VESA Deskmount Officeline Quad
EAN:	735007373 5198	735007373 5297	735007373 5594	735007373 5587
Colour:	White	White	White	White
For screen size:	15-30"	15-30"	15-30"	15-30"
VESA standard:	75x75, 100x100 mm	75x75, 100x100 mm	75x75, 100x100 mm	75x75, 100x100 mm
Material:	Steel	Steel	Steel	Steel
Max load:	8 kg per screen	8 kg per screen	8 kg per screen	8 kg per screen
Weight:	4.1 kg	2.4 kg	4.1 kg	4.1 kg
Measurements:	506x32x480 (D*W*H)	116x32x910 (D*W*H)	506x32x900 (D*W*H)	506x32x900 (D*W*H)
Adjustable height from table top to VESA plate center:	0 - 480mm	0 - 910mm	0 - 900mm	0 - 900mm
Tilt:	Yes 85- -60°	Yes 85- -60°	Yes 85- -60°	Yes 85- -60°
Swivel:	Yes 360°	Yes 360°	Yes 360°	Yes 360°
Pivot:	Yes ±90°	Yes ±90°	Yes ±90°	Yes ±90°
Installation:	Desk clamp, adjustable 10 - 50mm	Desk clamp, adjustable 10 - 50mm	Desk clamp, adjustable 10 - 50mm	Desk clamp, adjustable 10 - 50mm
Option:	M VESA Deskmount Officeline Grommet Base White - EAN: 5303	M VESA Deskmount Officeline Grommet Base White - EAN: 5303	M VESA Deskmount Officeline Grommet Base White - EAN: 5303	M VESA Deskmount Officeline Grommet Base White - EAN: 5303
For desktop width:	10 - 50mm	10 - 50mm	10 - 50mm	10 - 50mm
Warranty:	5 years	5 years	5 years	5 years

Accessories / Officeline

**M VESA Deskmount Officeline 75
100 Quick Release Plate**

EAN:	735007373 5389
Suitable for:	M VESA Deskmount Officeline Series
Colour:	Black
Weight:	0.1 kg
Warranty	2 years



**M VESA Deskmount Officeline 50
Quick Release Plate**

EAN:	735007373 5372
Suitable for:	M VESA Deskmount Officeline Series
Colour:	Black
Weight:	0.1 kg
Warranty	2 years



**M VESA Deskmount Officeline
Grommet Base Black**

EAN:	735007373 5884
Suitable for:	M VESA Deskmount Officeline Series
Colour:	15" - 32"
Weight:	Black
Warranty	5 years



**M VESA Deskmount Officeline
Grommet Base White**

EAN:	735007373 5303
Suitable for:	M VESA Deskmount Officeline Series
Colour:	15" - 32"
Weight:	Black
Warranty	5 years



Heavy duty
46cm total length

Deskline

Increase your productivity and free up desk space.

This series of free standing or clamp based mount lets you install one, two, three or four displays up to 27", on a single base that you can place in virtually any workspace.

Highlights:

- Gracefully adjust your monitors height and position
- Rotate monitor to landscape or portrait mode
- High grade materials with anti scratch surfaces
- Built in cable management system

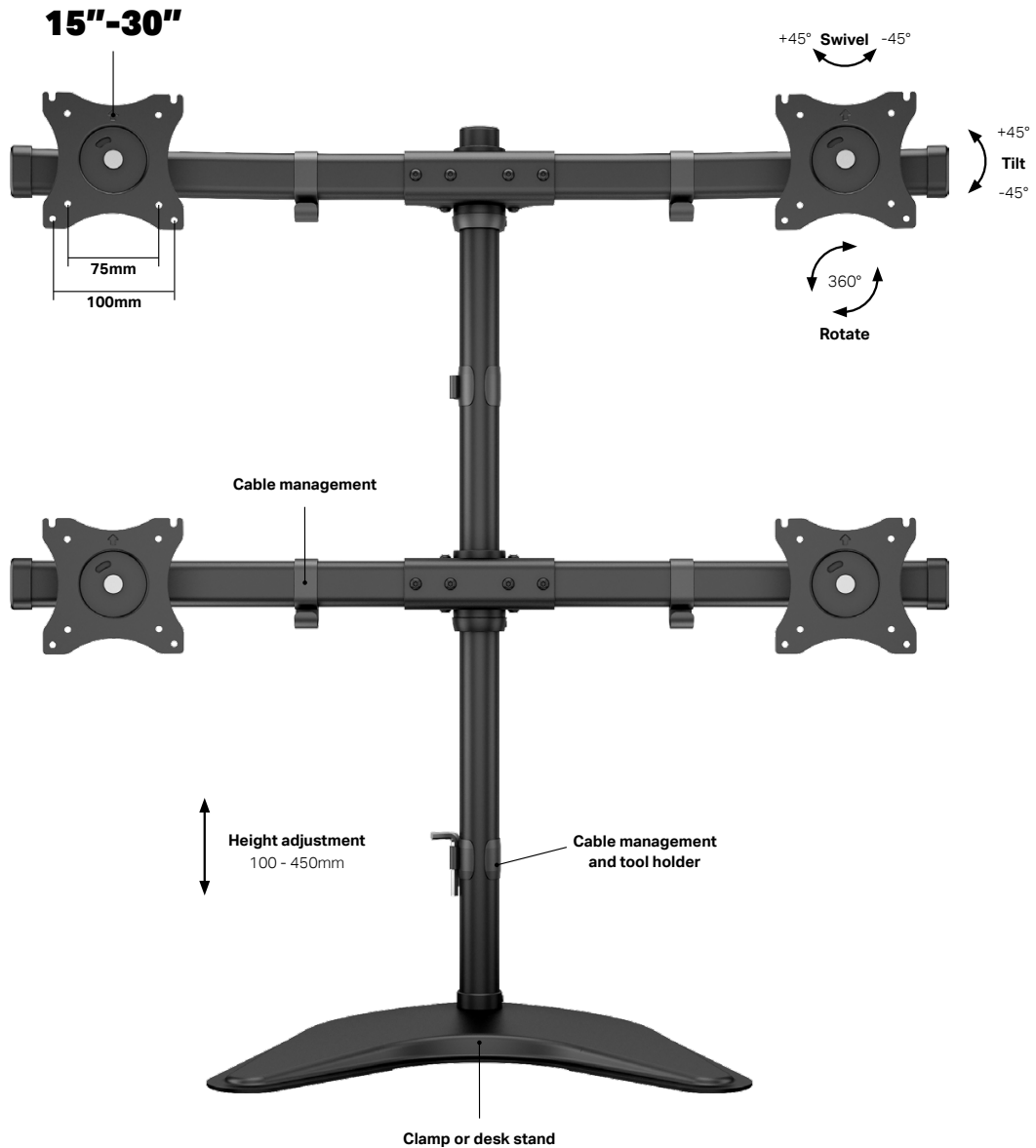


Our Deskline: A bestselling line up of monitor arms.

The black finish complements your office decor. Set up a single or multi monitor workstation with this VESA monitor stand (75x75, 100x100 mm) to multitask faster and boost your productivity. Compare and edit files on two screens with ease. Rotate your monitors 360 degrees for portrait or landscape viewing. Free up desk space with the low profile base and maximize the surface

area. Its crossbar design keeps your monitors perfectly aligned and makes it easy to mount and finetune adjust two flat panel displays side by side. The monitor stand features a flat, low profile back so you can position your displays against an office wall or cubicle wall to free up space.





Ramp up your ergonomic comfort at a great price point

An ergonomic workplace promotes the comfort and productivity of your workday. It is easy to create the ideal workstation with the Deskline Series. Our monitor arms provide more space for your workplace and improve your posture.





M Deskmount Basic Single



M Deskstand Basic Single



M Deskmount Basic Dual



M Deskstand Basic Dual

	M Deskmount Basic Single	M Deskstand Basic Single	M Deskmount Basic Dual	M Deskstand Basic Dual
EAN:	735007373 3293	735007373 3323	735007373 3309	735007373 3330
Colour:	Black	Black	Black	Black
For screen size:	15-27"	15-27"	15-27"	15-27"
VESA standard	75x7, 100x100 mm	75x7, 100x100 mm	75x75, 100x100 mm	75x75, 100x100 mm
Material:	Aluminum, Steel	Aluminum, Steel	Aluminum, Steel	Aluminum, Steel
Weight:	2.58 kg	3.58 kg	4.04kg	5.04 kg
Measurements:	11.6x12x55 cm	11.6x12x55 cm	11.6x12x55 cm	11.6x12x55 cm
Max load:	10 kg	10 kg	8 kg per screen	10 kg
Adjustable height from table top to VESA plate center:	100 - 450 mm	100 - 450 mm	100 - 400mm	100 - 450 mm
Tilt:	Yes ±45°	Yes ±45°	Yes ±45°	Yes ±45°
Swivel:	Yes ±45°	Yes ±45°	Yes ±45°	Yes ±45°
Rotate:	Yes 360°	Yes 360°	Yes 360°	Yes 360°
Installation:	Desk clamp, adjustable 10 - 85mm	Deskstand	Desk clamp, adjustable 10 - 85mm	Deskstand
Option:	Article: 7350073733408, M Deskmount Grommet Base	Article: 7350073733408, M Deskmount Grommet Base	Article: 7350073733408, M Deskmount Grommet Base	Article: 7350073733408, M Deskmount Grommet Base
Warranty:	5 years	5 years	5 years	5 years



M Deskmount Basic Triple



M Deskstand Basic Triple



M Deskmount Basic Quad



M Deskstand Basic Quad

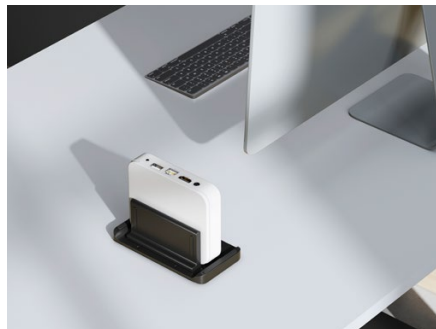
	M Deskmount Basic Triple	M Deskstand Basic Triple	M Deskmount Basic Quad	M Deskstand Basic Quad
EAN:	735007373 3385	735007373 3392	735007373 3316	735007373 3347
Colour:	Black	Black	Black	Black
For screen size:	15-27"	15-27"	15-27"	15-27"
VESA standard:	75x75, 100x100 mm	75x75, 100x100 mm	75x75, 100x100 mm	75x75, 100x100 mm
Material:	Aluminum, Steel	Aluminum, Steel	Aluminum, Steel	Aluminum, Steel
Max load:	8 kg per screen	8 kg per screen	8 kg per screen	8 kg per screen
Weight:	6.3 kg	7.8 kg	7.3kg	8.3 kg
Measurements:	144.8 x 12 x 55 cm	144.8 x 31.6 x 46.6 cm	144.8 x 31.6 x 46.6 cm	144.8 x 31.6 x 46.6 cm
Adjustable height from table top to VESA plate center:	100 - 450mm	100 - 450 mm	100 - 750mm	100 - 450 mm
Tilt:	Yes ±45°	Yes ±45°	Yes ±45°	Yes ±45°
Swivel:	Yes ±45°	Yes ±45°	Yes ±45°	Yes ±45°
Rotate:	Yes 360°	Yes 360°	Yes 360°	Yes 360°
Installation:	Desk clamp, adjustable 10 - 85mm	Deskstand	Desk clamp, adjustable 10 - 85mm	Deskstand
Option:	Article: 7350073733408, M Deskmount Grommet Base	Article: 7350073733408, M Deskmount Grommet Base	Article: 7350073733408, M Deskmount Grommet Base	Article: 7350073733408, M Deskmount Grommet Base
Warranty:	5 years	5 years	5 years	5 years

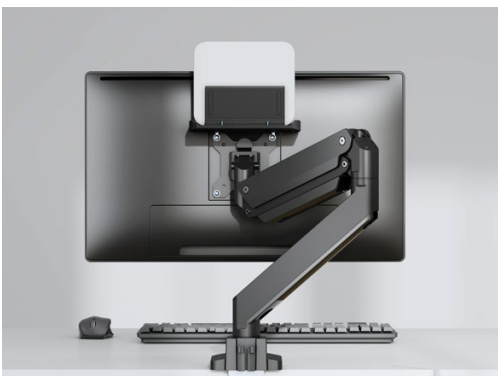
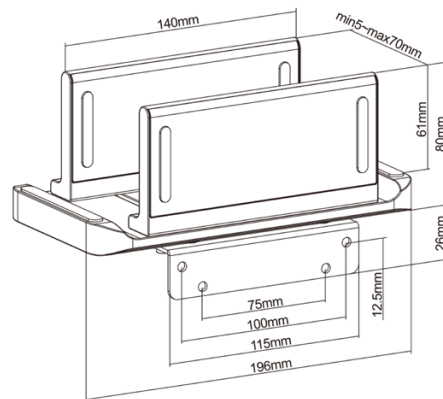
M Thin Client Holder and Stand 3 kg

Smart mounting component for your media unit.

A smart solution holding a Mini PC, NUC, Thin Client or other Media solution not only on the floor, desk but also onto the wall. Simply mount the CPU holder directly onto the wall and provide the convenient and space efficient storage to your media unit wherever you need it.

This Thin Client Holder is a perfect companion for any media solution mounted on the wall where you would also need a Mini PC, Thin Client or other media solution close by. Suitable for most audio/ video/ computer hardware. Just put your CPU or media unit standing onto the shelf. Handling widths up to 70mm thick and weight up to 3kg 's.





Model: M Thin Client Holder and Stand 3kg

EAN: 735010521 4455

For: PC, CPU Client or any other electronics

Feature: Adjustable width

Colour: Black

Material: Steel, Plastic

Max load: 3 kg

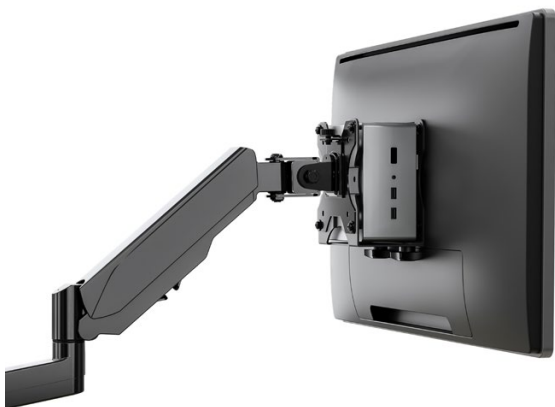
Warranty: 5 years

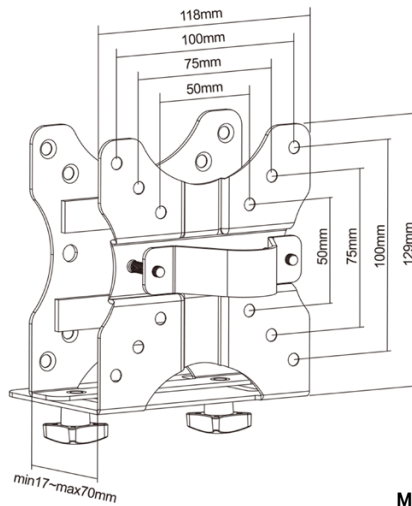
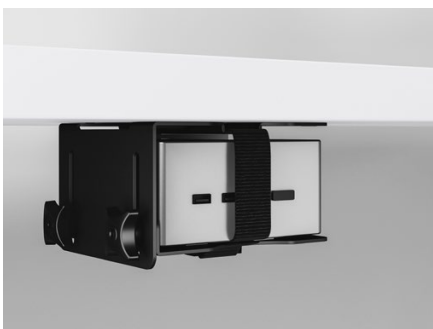
M Thin Client Holder 5 kg

Smart mounting component for your media unit.

A smart solution holding a Mini PC, NUC, Thin Client or other Media solution not only on the floor, desk but also onto the wall. Simply mount the CPU holder directly onto the wall and provide the convenient and space efficient storage to your media unit wherever you need it.

This Thin Client Holder is a perfect companion for any media solution mounted on the wall where you would also need a Mini PC, Thin Client or other media solution close by. The Multibrackets M Thin client Holder 5kg is suitable to be used with most audio/ video/ computer hardware. Just put your CPU or media unit standing onto the shelf. Handling widths up to 70mm thick and weight up to 3kg's.





Model:	M Thin Client Holder and Stand 3kg
EAN:	735010521 4448
For:	PC, CPU Client or any other electronics
Feature:	Adjustable width
Colour:	Black
Material:	Steel, Plastic
Max load:	5 kg
Warranty:	5 years

Accessories / Deskline

**M VESA Monitor Slider
Black**

EAN:	735007373 7796
Suitable for:	Deskline
For screen size:	13" - 27"
Colour:	Black
Weight:	0.74 kg
Warranty:	5 years



**M Basic Tablestand for
Single/Dual/Triple/Quad
Basic Arms**

EAN:	735007373 5457
Suitable for:	Deskline
Colour:	Black
Weight:	2 kg
Warranty:	5 years



**M Basic Clamp for
Single/Dual/Triple/Quad
M Basic Arm**

EAN:	735007373 5440
Suitable for:	Deskline
Colour:	Black
Weight:	2 kg
Warranty:	5 years



**M Deskmount Basic
Single/Dual/Triple/Quad
Grommet Base**

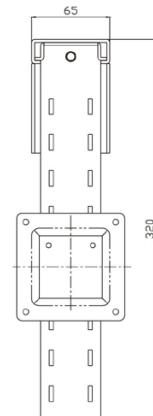
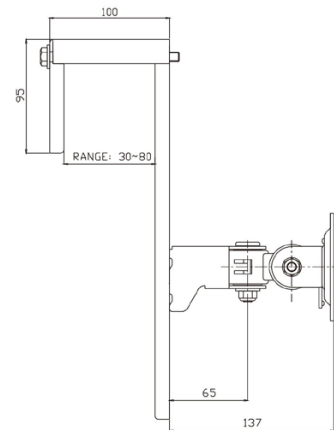
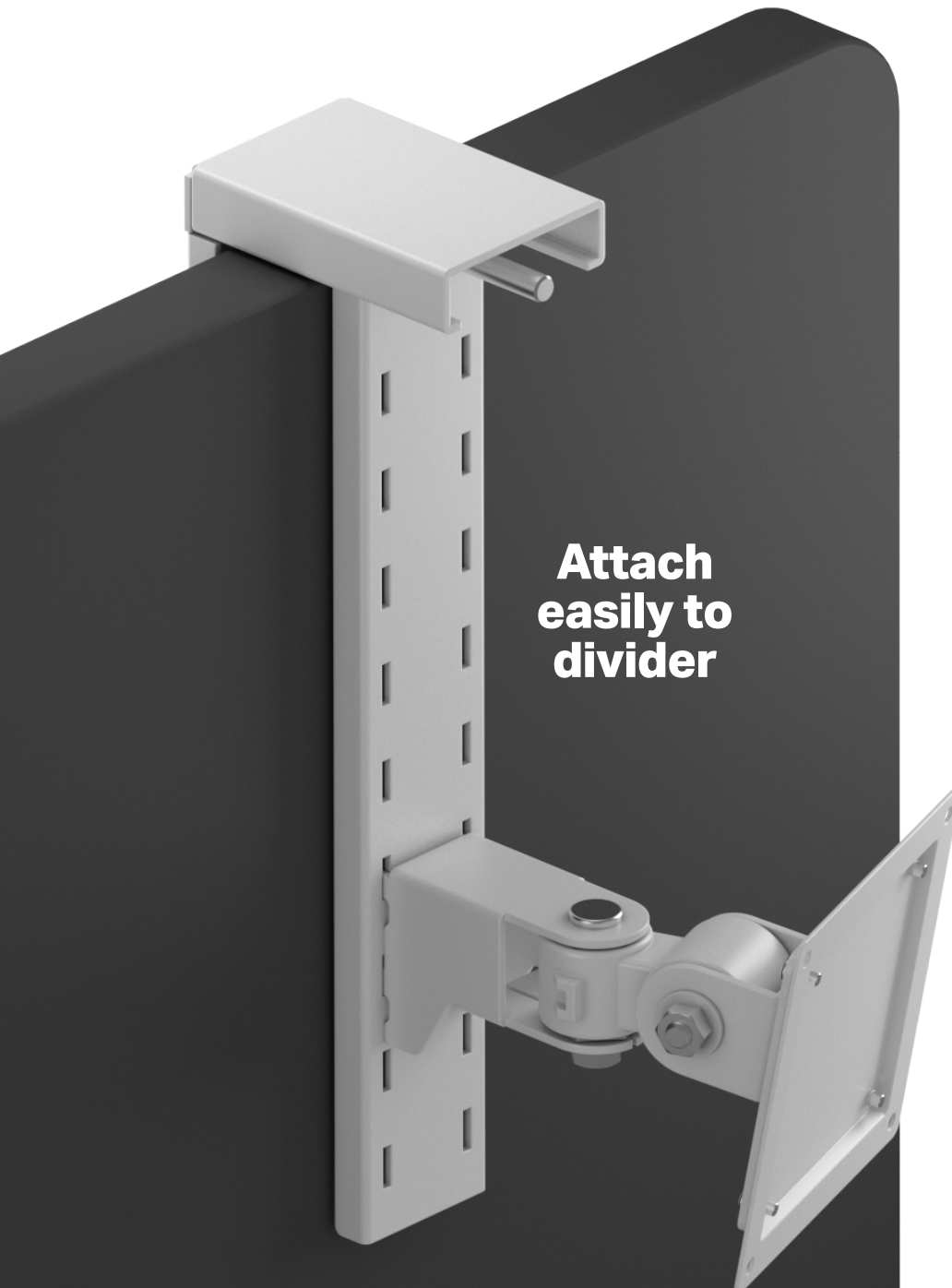
EAN:	735007373 3408
Suitable for:	Deskline
Colour:	Black
Weight:	1.5 kg
Warranty:	5 years



Partition & Pole Monitor Mounts

Folds to within just centimeters of wall in position

An adjustable monitor arm puts you in control of your workspace, at work or at home. Up. Down. Forward. Back is now only a matter of choice.



Landscape or Portrait



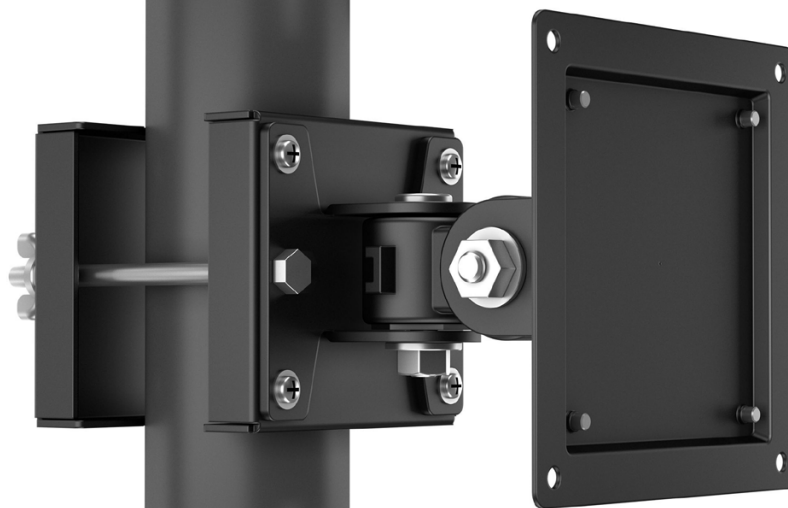
Tilt adjustment



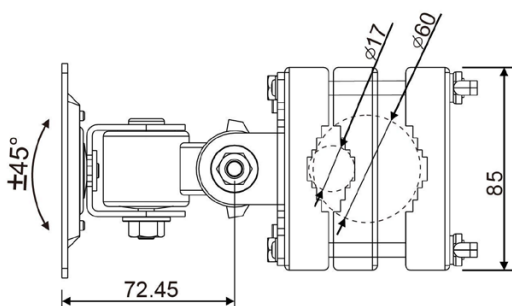
VESA standard



Height adjustment



Attach to pole



	M VESA Partition Monitormount 75/100	M VESA Monitor Polemount
EAN:	735010521 2680	735010521 2659
Colour:	White	Black
For screen size:	15"-32"	15"-32"
VESA standard:	75x75, 100x100 mm	75x75, 100x100 mm
Material:	Steel	Steel
Max load:	15 kg per screen	15 kg per screen
Weight:	1,4 kg	1,17 kg
Measurements:	635 x 355 x 280 mm	620 x 255 x 220 mm
Tilt:	Yes -90° - +90°	Yes -90° - +90°
Swivel:	Yes ±45°	Yes ±45°
Rotate:	Yes 90°	Yes 90°
Installation:	Installs on partition, adjustable thickness 10 - 50 mm	Pole clamp, adjustable 10 - 50 mm
For partition width:	30 - 80 mm	17 - 60 mm
Warranty:	5 years	5 years

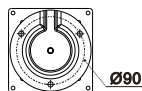
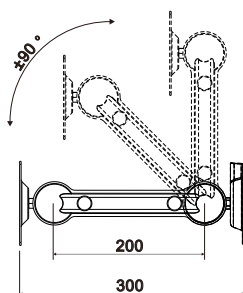
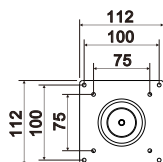
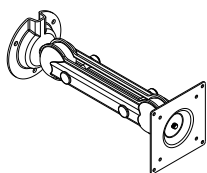
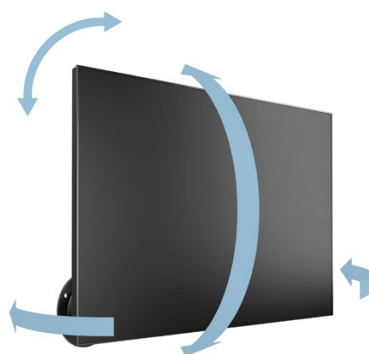
M VESA Monitor/Tablet Arm 75/100

Folds to within just centimeters of wall in position

An adjustable monitor arm puts you in control of your workspace, at work or at home. Up. Down. Forward. Back is now only a matter of choice.

Highlights:

- Ultimate fit
- Improve your monitors movement and overall ergonomics
- Mounts on your desk or onto a wall
- Works with most mid size displays up to 32"
- Saves space and holds your cables hidden

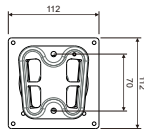
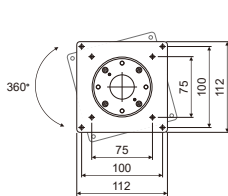
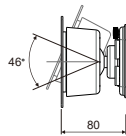
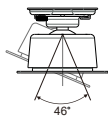
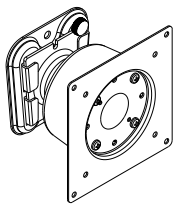


EAN:	735010521 2673
Colour:	Black
For screen size:	15"-32"
VESA standard:	75x75, 100x100 mm
Material:	Steel
Max load:	6 kg per screen
Weight:	1,42 kg
Measurements:	575x575x390 mm
Monitor Tilt:	Yes -90°- +90°
Monitor Swivel:	Yes ±360°
Monitor Rotate:	Yes 360°
Arm Tilt:	Yes -90°- +90°
Arm Swivel:	Yes ±360°
Arm Rotate:	Yes 360°
Installation:	Installs on desk or wall
Warranty:	5 years

M VESA Monitor/Tablet Wallmount 75/100

Folds to within just centimeters of wall in position

An adjustable monitor arm puts you in control of your workspace, at work or at home. Up. Down. Forward. Back is now only a matter of choice.



EAN:	735010521 2666
Colour:	Black
For screen size:	15"-32"
VESA standard:	75x75, 100x100 mm
Material:	Steel
Max load:	6 kg per screen
Weight:	0,63 kg
Measurements:	620 x 255 x 220 mm
Monitor Tilt:	Yes -23°- +23°
Monitor Swivel:	Yes ±23°
Monitor Rotate:	Yes 360°
Arm Tilt:	-
Arm Swivel:	-
Arm Rotate:	-
Installation:	Installs on wall or table
Warranty:	5 years

Office Ergonomics

Improve your posture

With the continuing rise in popularity of computers and mobile devices, an increase in postural strain is being placed on our bodies. Poor posture while using desktops, notebooks and multiple screens on the desk place the upper body in a position of increased neck flexion with rounded shoulder

posturing. This can lead to a variety of musculoskeletal issues and postural deviations. Given the length of time spent in these postures on a daily basis, places office workers at an even higher risk of developing disorders. For these reasons, it is important to ensure proper office

ergonomics are in place. Maybe it's time for your business to discover a new level of refinement with our Monitor Stands and Gas lift solutions.

Sitting

- Shoulders relaxed**
- Straight back**
- Circulation in legs**
- Healthy hip and knee joints**
- Feet flat on the floor**

Monitor

Adjust distance and height top of the monitor at eye level and slightly tilted.

Arms

Relax shoulders and forearms parallel to the floor.

Chair

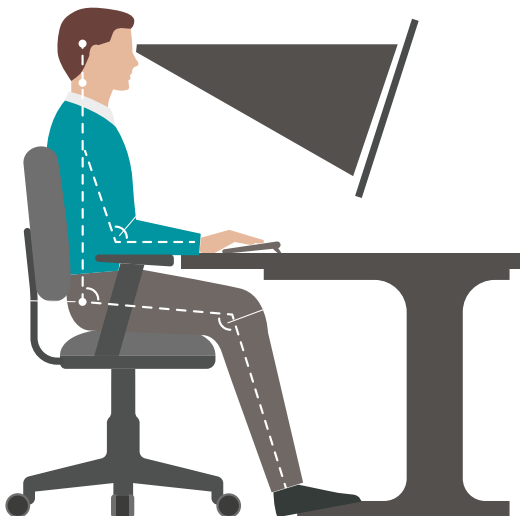
Should have a backrest and armrests, adjust height.

Legs

Thighs parallel to the floor.

Feet

Parallel to the floor, use a footrest if necessary.



Standing

- Shoulders relaxed**
- Straight back**
- Pelvis in neutral alignment**
- Circulation in legs**
- Hip, knee and ankle joints aligned with gravity line**

Monitor

Tilt your monitor back 10 - 20°.

Arms

Maintain keyboard height even with elbows.

Body

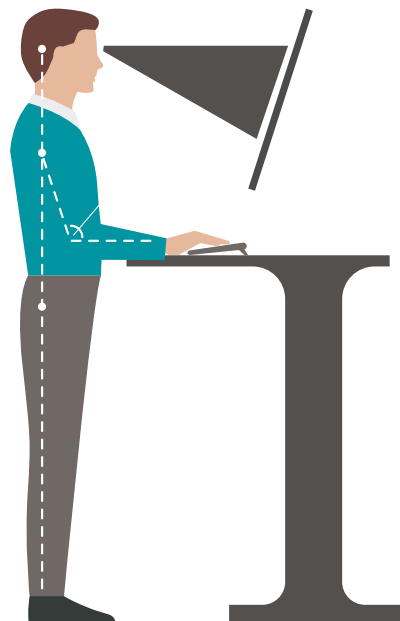
Change posture every 30 minutes.

Legs

Use an anti fatigue mat while standing.

Feet

A foot rest is essential to shift your weight from one leg to another.



Deskstands & Workstations

Elevate productivity

Smart Workstation solutions promotes long term healthy computing.

Highlights:

Super flexible

Individually fine tune your monitor for how you work best.

Space saving

Clears your desk and creates extra workspace while maximizing comfort.

Stability & durability

Best in class stability & tested over 10 000 times.

Effortless and Virtually Silent

No cranking, no clicking, your display will move effortlessly.

Build quality

Our Workstations are built to last longer than our competitors.



M Deskstand Workstation II

Our Workstations are built to last longer than our competitors. Whether you are sitting or standing our wall or desk mounted counterbalanced Workstation Arms let you position your monitor in the most ideal ergonomic position for you. For both Workstation Arms and Easy Stand there are no fixed heights, no cranking, no clicking unlike many other

products out there. By elevating your monitor or monitors, you will free up the space below for other important items. That means you will have more space for multitasking. Another benefit is the added viewing capabilities. Have you ever had to share a presentation at your desk or perhaps with a patient (medical applications)? Having a Workstation monitor arm can make that kind of

viewing experience a whole lot more enjoyable. Easy Stand Workstations is our range of counterbalanced height adjustable desktop Workstations. Available as a single and dual monitor solution this will reduce the strain on your shoulders, neck, and eyes when properly positioned. A great solution for flexible and comfortable working year around. Easily

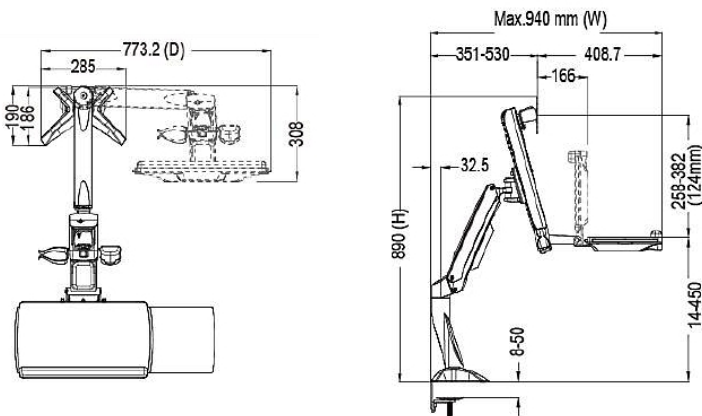
placed onto any desktop it adds a worksurface that stays with you as you sit or stand. With a click you simultaneously lift your keyboard and LCD screens to proper height, with another click you can lower it back to the desktop.

M Flex Desk Workstation



M Flex Desk Workstation

Article No:	735007373 4634
Colour:	Black
For screen size:	15-27" (with rotated screen max 24")
VESA standard:	75x75, 100x100 mm M4
Material	Steel, Aluminum, Plastic
Weight	11.4 kg
Size:	940 x 890 x 773 mm
Max load display:	2~8kg
Max load keyboard:	2.5kg
Keyboard area:	449 x 207 mm
Keyboard tilt:	0 ~ 90°
Hinge tilt:	--5° ~ +35°
Hinge swivel:	+/-90°
Hinge pivot:	360°
Height adjust:	124mm / 436 mm
Torque adjust:	Yes
Tilt arm adjust:	- 30° ~ + 65°
Cable Management:	Yes
Installation:	Desk mount
Warranty:	2 years



M Workstation Arms

Smart Workstation solutions promotes long term healthy computing.

The M Workstation Arm is made of high grade aluminum and its Scandinavian design heritage can clearly be noticed. Made to free up space and allowing positioning of your display and keyboard for great productivity as well not being in the way when not needed.



Highlights:

- Gracefully adjust your monitors height and position.
- Rotate monitor to landscape or portrait mode.
- High grade materials with anti scratch surfaces.
- Built in cable management system.

Our Workstations are built to last longer than our competitors. Whether you are sitting or standing our wall or desk mounted counterbalanced Workstation Arms let you position your monitor in the most ideal ergonomic position for you. For both Workstation Arms and Easy Stand there are no fixed heights, no cranking, no clicking unlike many other





M Workstation Arm Single
M Workstation Arm Extended

EAN: Single: 735007373 4351
 Extended: 735007373 4368

Colour: White

For screen size: 15-27" (with rotated screen max 24")

VESA standard: 75x75, 100x100 mm M4

Material: Steel, Aluminum, Plastic

Weight: Single: 9.3 kg
 Extended: 11.4 kg

Size: Single: 956 x 926 x 333 mm
 Extended: 1346 x 925.3 x 322 mm

Max load display: 2~8kg

Max load keyboard: 2.5kg

Keyboard area: 449 x 207 mm

Keyboard tilt: 0 ~ 90°

Hinge tilt: -5° ~ +35°

Hinge swivel: +/-90°

Hinge pivot: 360°

Height adjust: 124mm

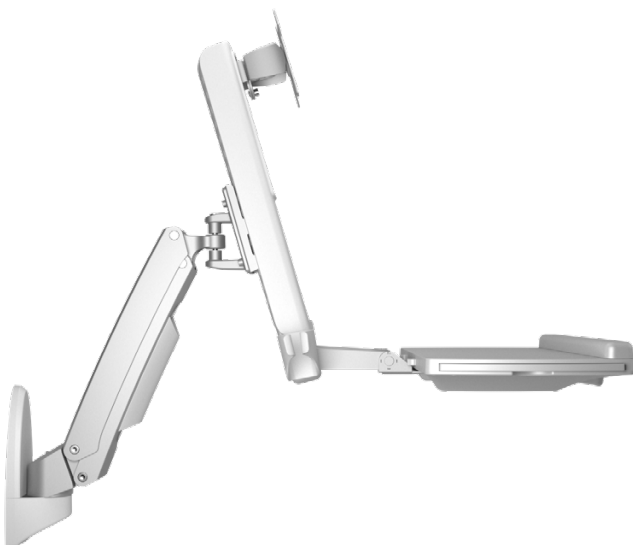
Torque adjust: Yes

Tilt arm adjust: - 30° ~ + 65°

Cable Management: Yes

Installation: Wall mount

Warranty: 2 years



M Deskstand Workstation II

Usable in environments where monitor flexibility and presentations shared with colleagues is of essence.

The M Workstation Arm is made of high grade aluminum and its Scandinavian design heritage can clearly be noticed. Made to free up space and allowing positioning of your display and keyboard for great productivity as well not being in the way when not needed.



M Deskstand Workstation II



Highlights:

Gracefully adjust your monitors height and position.

Rotate monitor to landscape or portrait mode.

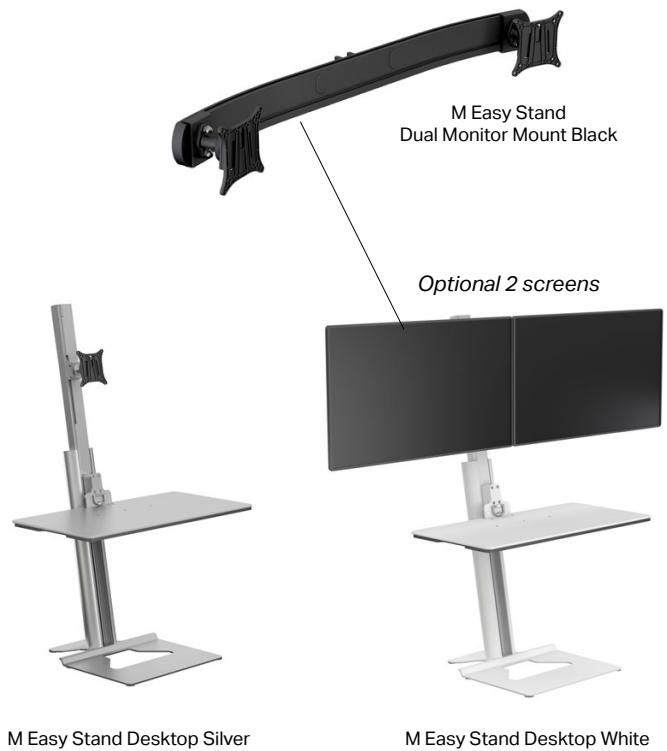
High grade materials with anti scratch surfaces.

Built in cable management system.

Our Workstations are built to last longer than our competitors. Whether you are sitting or standing our wall or desk mounted counterbalanced Workstation Arms let you position your monitor in the most ideal ergonomic position for you. For both Workstation Arms and Easy Stand there are no fixed heights, no cranking, no clicking unlike many other

	M Deskstand Workstation I	M Deskstand Workstation II
EAN:	735007373 4337	735007373 4344
For screen size:	15"-27"	15"-27"
Type:	Sit and Stand Table	Sit and Stand Table
VESA standard:	100x100 to 600x400 max	100x100 to 600x400 max
Material:	Steel, Wood, Plastic	Steel, Wood, Plastic
Color:	Black	Black
Surface Finish:	Plastic Black	Plastic Black
Weight:	24.3 kg	24.3 kg
Measurements:	915 x 607 x 485 mm	915 x 607 x 485 mm
Max Load:	2 kg ~15 kg	2 kg ~15 kg
Height folded:	115mm	115mm
Height adjustment:	370mm	370mm
Height adjustment range:	115mm ~ 485 mm	115mm ~ 485 mm
Max.Working Space:	915 x 600mm	915 x 600mm
Keyboard tray:	No	Yes, 525 x 190mm
Options recommended:	Deskmount arm	Deskmount arm
Certifications:	CE	CE
Warranty:	5 years	5 years

M Easy Stand Desktop



M Easy Stand Desktop Black

	M Easy Stand Desktop	Dual Monitor Mount
EAN:	Black: 735007373 3156 White: 735007373 3170 Silver: 735007373 3163	735007373 3187
Colour:	Black / White / Silver	Black
Material:	Aluminum	Aluminum
For screen size:	< 30"	< 30"
Screen weight:	1.5 - 7.5 kg	1 - 3 kg / monitor
VESA standard:	75x75, 100x100	75x75, 100x100
Screen adjustment:	140 mm	140 mm
Height adjustment:	460 mm	460 mm
Screen tilt:	Yes, ± 25°	Yes, ± 25°
Screen rotate:	Yes, 360°	Yes, 360°
Table size:	640x360 mm (WxD)	640x360 mm (WxD)
Table weight:	0-10 kg	0-10 kg
Weight:	13.6 kg	15.5 kg
Max load:	7.5 kg	3 kg per monitor
Warranty:	5 years	5 years

Headset Holders

Making you and your office desk stand out!

Looking for a premium level headset stand for your over ear headphones? Our headset stands have become a classic.

Often copied and imitated but never duplicated, today the Standard, 'how an exclusive headset stands should look'. So, keep your on ear headphones secure and above all, neat, hanging freely in the air they are unstressed, ensuring a long lasting, good fit, and all whilst being displayed as if in a boutique store.



Highlights:

- Uniquely designed and handmade
- The original universal Headphones stand
- Made out of one piece solid material
- Makes your office desk stand out.

Table Stands



	Black	Silver	White	Solid brass	Solid copper	Stainless steel
EAN:	735007373 1893	735007373 2050	735007373 1862	735007373 2845	735007373 2852	735007373 4610
Size:	253x148x80mm	253x148x80mm	253x148x80mm	253x148x80mm	253x148x80mm	253x148x80mm
Weight:	714 g	714 g	714 g	764 g	812 g	708 g
Material:	Steel	Steel	Steel	Solid brass	Solid copper	Stainless steel
Colour:	Black	Silver	White	Brass	Copper	Stainless Steel
Max load:	1 kg	1 kg	1 kg	1 kg	1 kg	1 kg
Gift box size:	260x150x80mm	260x150x80mm	260x150x80mm	260x150x80mm	260x150x80mm	260x150x80mm
Warranty:	5 years	5 years	5 years	5 years	5 years	5 years



Desk

Wall



Black

Silver

White

Black

Silver

White

EAN:	735007373 1886	735007373 2043	735007373 1855	735007373 1879	735007373 2036	735007373 1848
Size:	112x56x40mm	112x56x40mm	112x56x40mm	112x56x40mm	112x56x40mm	112x56x40mm
Weight:	52 g	52 g	52 g	37 g	37 g	37 g
Material:	Steel	Steel	Steel	Steel	Steel	Steel
Colour:	Black	Silver	White	Black	Silver	White
Max load:	1 kg	1 kg	1 kg	1 kg	1 kg	1 kg
Gift box size:	120x60x45mm	120x60x45mm	120x60x45mm	120x60x45mm	120x60x45mm	120x60x45mm
Warranty:	5 years	5 years	5 years	5 years	5 years	5 years

Cable Socks

Elegant resistance for delicate cables.

Versatile, with flexible properties Cable Socks gives abrasion resistance for delicate cables

Highlights:

Expands easily to ensure complete coverage and protection.

Offers general protection from abrasion, chemicals and temperature for optimal protection.

Available in various sizes and colors.

Designed to adjust and expand to irregular shapes.

Keeps its flexibility under a wide range of temperatures and over time.

Constructed from tightly woven polyester material.

Provides easy installation on already existing applications simply unwrap the cable sock and apply directly to your cable or product.

Highly versatile with flexible properties, excellent for office/commercial/ industrial uses.



Title

What's special about Cable Socks, and why would they be needed? Leaving delicate cables exposed to the outside elements puts them at risk of costly abrasive damage and UV degradation. Adding Multibrackets cable sock solutions to cables in high traffic or high friction areas will help extend cable life and save you money down the road. Unlike traditional braided sleeving or wire loom, these cable socks install easily with no special tools or endless sliding. Our unique colour options also allow colour coding and easy identification of cable infrastructure. A good choice for AV cables, computer cables (inside and out), server halls, datacentres optical cables (5mm version), hospitals, hotel rooms and anywhere else one might need high quality cable socks. Our Cable Socks are also fire retardant.

M Universal Cable Socks Self Wrapping	
Material:	Polyester
Self wrapping:	Yes
Sock length:	25 m
Working temp. :	-50°C--+ 150°C
Melting point:	240±10°C
Flammability:	8s6853 lb UL94 V-0 FMVSS 302
Monofilament diameter:	0.25mm
Safety:	Fire retardant material
Certificate:	RoHS
Warranty:	5 years
Weight:	Depending on size

Wear-resisting level:

ISO6722, Load 7N, Number of scratches ≥3000 times, high wear resistance.

Application:





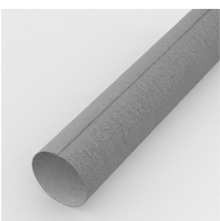


It is widely used in electrical wiring, cables, wiring harness and hoses for high-speed trains, cars, automation equipment, instruments, and especially for irregularly wiring harness.



M Cable Sock Quicktool	
EAN:	735007373 4689
Colour:	Blue
Warranty:	1 year



M Cable Sock Heat Cutter	
EAN:	735002273 2926
Colour:	Light Blue
Warranty:	1 year

	5 - 9mm	10 - 14mm	19 - 30mm	25 - 35mm	40 - 50mm
<i>Yellow</i>					
	735007373 4382	735007373 4429	735007373 4467	735007373 4504	735007373 4542
<i>Orange</i>					
	735007373 4399	735007373 4436	735007373 4474	735007373 4511	735007373 4559
<i>Red</i>					
	735007373 4412	735007373 4450	735007373 4488	735007373 4535	735007373 4573
<i>Blue</i>					
	735007373 4405	735007373 4443	735007373 4481	735007373 4528	735007373 4566
<i>White</i>					
	735007373 3194	735007373 3224	735002273 4203	735007373 2777	735007373 2807
<i>Grey</i>					
	735007373 3200	735007373 3231	735002273 4180	735007373 2784	735007373 2814
<i>Black</i>					
	735007373 3217	735007373 3248	735002273 4197	735007373 2791	735007373 2821



**Everything starts with you.
For us to create great products it always
begins with putting you the user at the heart
of everything we do."**

Mission

We are on a mission to create products that are simple to install and use, that excites and solves our clients daily needs - everyday, all year around. Based in Stockholm, Sweden we design, develop and market AV Equipment. But we do it our way. Armed with a genuine passion for new technology and user centric innovation, we take a product and give it a little bit of Multibrackets magic!

About us

Founded in year 2000 we are a family owned business and represented in over 30 countries. Today we are considered one of the leaders in the rapidly changing environment of digital signage technology – together with our distributors we are providing hardware and services to enable the full value from idea to a ready product. With one of the most comprehensive product lines in EU we supply Audio Visual Equipment for every need. Multibrackets reputation for innovative products is well known.

Become a partner

Stay ahead of your competition – Let us help you become a partner. Simply send us an email on support@multibrackets.com or go to our webpage <https://products.multibrackets.com/en/contact> for a contact with us at Multibrackets and we will help you with a distributor's contact. We look forward to your email.

Contact details

Multibrackets Europe AB
Döbelnsgatan 21, 11th floor
SE-111 40 Stockholm
SWEDEN

Reach us on email support@multibrackets.com or phone +46 (0)8 - 615 04 00

Sustainability

At Multibrackets we see sustainability like a journey. Being in the AV business means we have a responsibility to take care of the environment and everybody who plays a part in making our products. We are working hard to design sustainable products, minimize our impact on the environment, improve our sourcing and create a great workplace for our employees. Find out more about what we are doing and what we've already achieved on our web.

Copyright

This catalogue is protected by copyright laws. The graphic design, content, and images in this catalogue may not be reproduced, published displayed, or reproduced in any way, in whole or in part. This catalogue is considered the intellectual property of Multibrackets Europe AB, and we respectfully ask that you not copy, transmit, distribute, or create a derivative work based upon the content and materials of this catalogue. The content is also subject to the copyright laws of EU and the US (Act of 1976, Title 17 of the United States Code) and may not be copied for use in your publications or newsletters without prior written consent of Multibrackets Europe AB. If you are a customer of Multibrackets Europe AB and would like permission to use one of our articles in your company publication, please email and we would be happy to consider giving you permission to do so, as long as you would be willing to credit your source (Multibrackets Europe AB).

We reserve ourselves for printing errors

Printing errors. While we strive to display all our information as correct as possible, there sometimes occurs misprinting's and faulty information in catalogues. If this happens, and it should affect in any way the forms of, for example faulty product information, or the alike, we will inform you as soon as we notice, and amend it. Please note that we reserve ourselves the right to cancel any order that has been sold presented with a misprinted information. Editing, deleting, or modification of this catalogue: We reserve the right, for any reason, to edit this catalogue. That means, without advance notice, we may suspend, discontinue, edit, or delete current information, products, services, or any other content appearing in this catalogue.

Again, Welcome to Multibrackets Europe, one of the leading manufacturers of Audio Visual Equipment in Europe.

All rights reserved, Multibrackets®, Stockholm, Sweden, 2022 / 2023



Multibrackets Europe AB

Phone: +46(0)8- 615 04 00 Mail: support@multibrackets.com

Postal address: Döbelnsgatan 21, 11th floor SE-111 40 Stockholm Sweden

